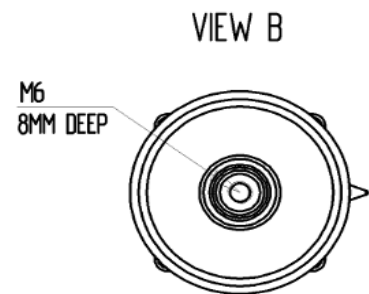
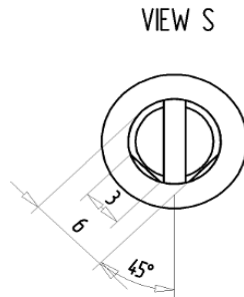
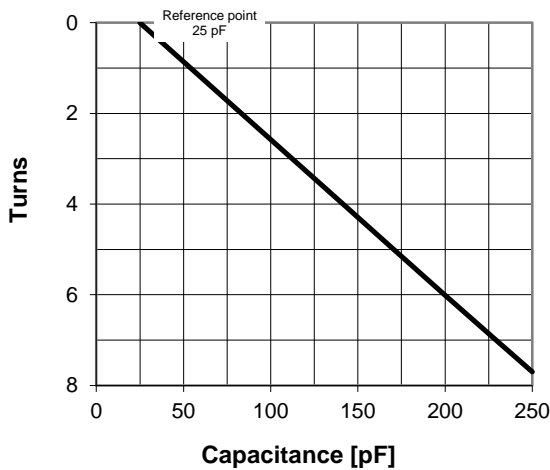
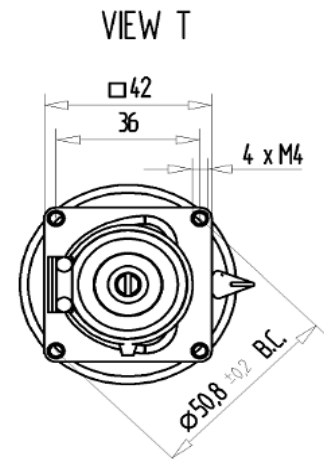
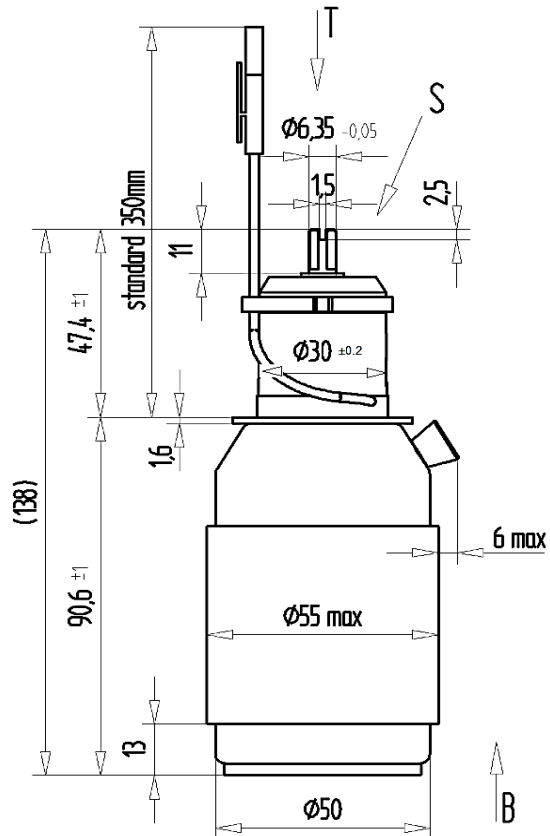
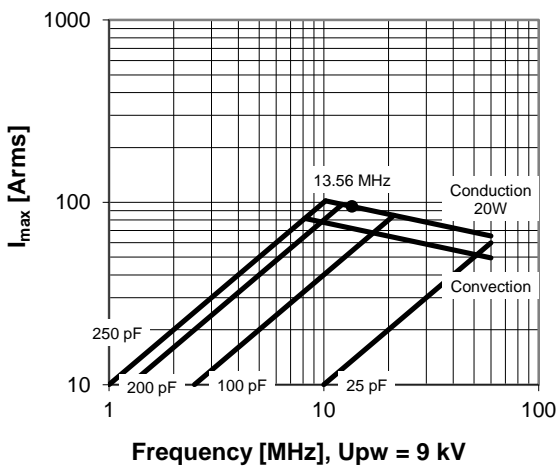


## CVUN-250AC/15-BEFA-C

Specifications	
Capacitance $C_{max}$ (nominal)	250 pF
Capacitance $C_{min}$ (nominal)	25 pF
Voltage (Peak Test $U_{pt}$ / Peak Working $U_{pw}$ )	15 kV / 9 kV
Capacitance Tolerance (linear Range)	10%
Max. Current $I_{max}$ at 13.56 MHz with	94 Arms
Conduction Cooling	20 W
Self Inductance	$\leq 8$ nH
Capacitance per turn	29.2 pF/turn
Torque	$\leq 0.2$ Nm
Net Weight	0.5 kg



$I_{max}$  at 25°C ambient and 125°C surface temp. for convection and conduction (20 W) cooling



Subject to change without prior notice

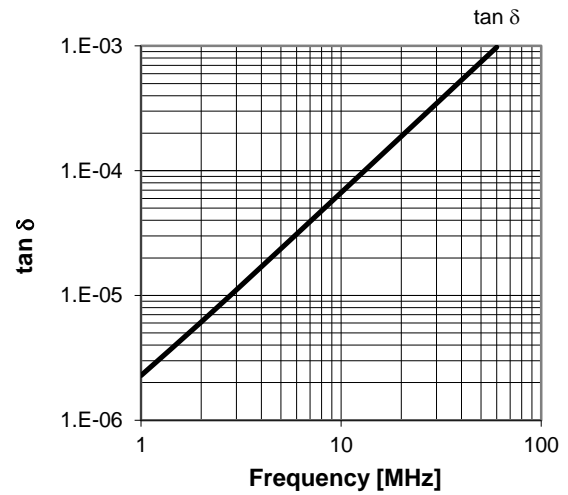
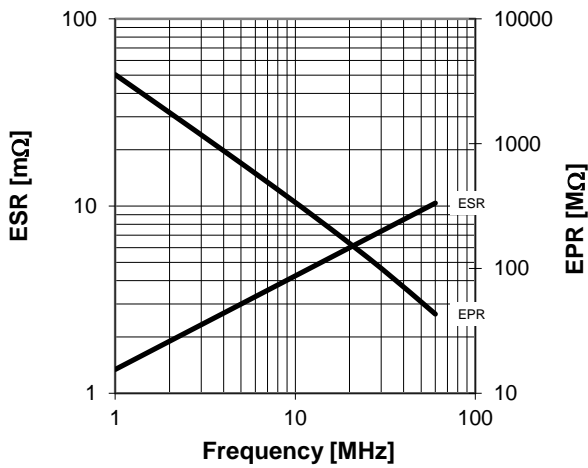
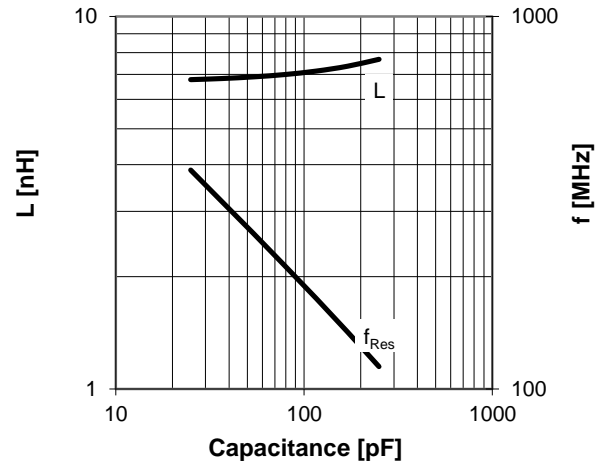
Note: Technical information in Service Bulletins SB-32 and SB-52 must be considered

## CVUN-250AC/15-BEFA-C

Turns	Nominal Capacitance [pF]	Tolerance
0.0	25.0	0%
2.0	83.2	10%
4.0	141.5	10%
6.0	199.7	10%
7.7	250.0	10%

Mechanical stop at < 25 pF at ~ -0.6 turns  
Mechanical stop at > 250 pF at ~ 7.8 turns

Self inductance and resonance frequency



**Special Features:**

Opti-Cap 2000

Subject to change without prior notice

Note: Technical information in Service Bulletins  
SB-32 and SB-52 must be considered