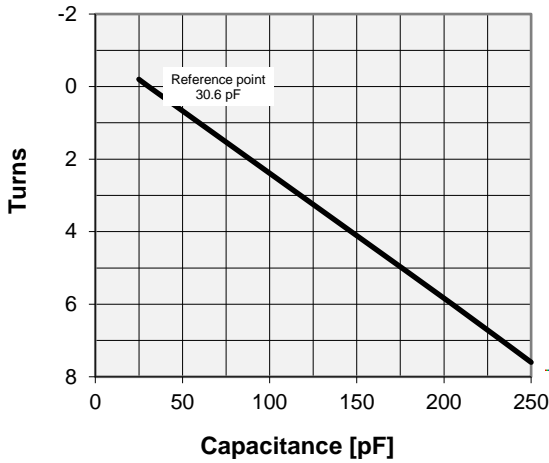


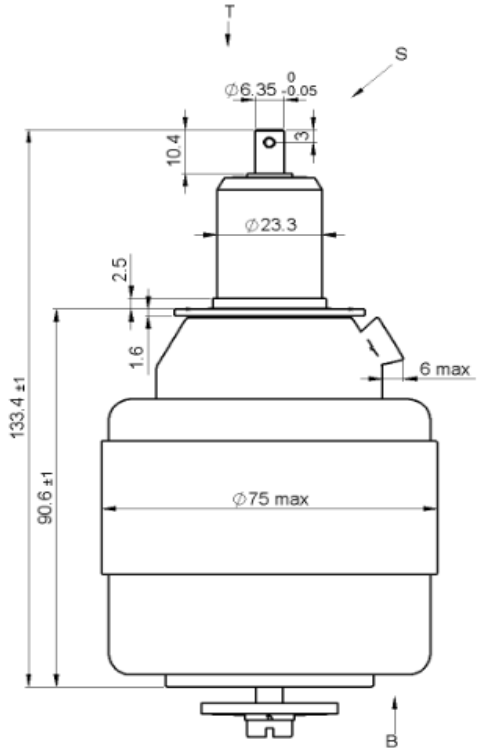
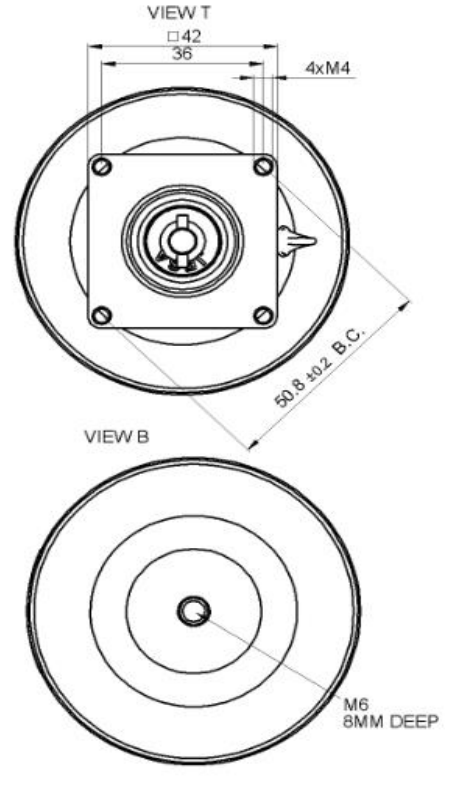
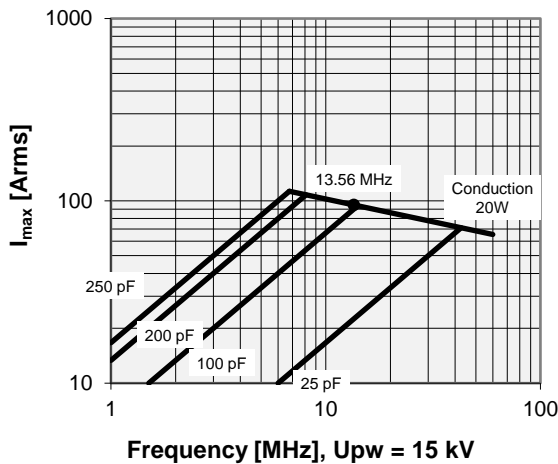
# CVUN-250CC/25-BGJL

## Specifications

Capacitance $C_{max}$ (nominal)	250 pF
Capacitance $C_{min}$ (nominal)	25 pF
Voltage (Peak Test $U_{pt}$ / Peak Working $U_{pw}$ )	25 kV / 15 kV
Capacitance Tolerance (linear Range)	10%
Max. Current $I_{max}$ at 13.56 MHz with	94 Arms
Conduction Cooling	20 W
Capacitance per turn	28.9 pF/turn
Torque	$\leq 0.2$ Nm
Net Weight	0.8 kg



$I_{max}$  at 25°C ambient and 125°C surface temp. for convection and conduction (20 W) cooling



Note:  
 Technical information in Service Bulletin  
 SB-52 must be considered  
 Subject to change without prior notice

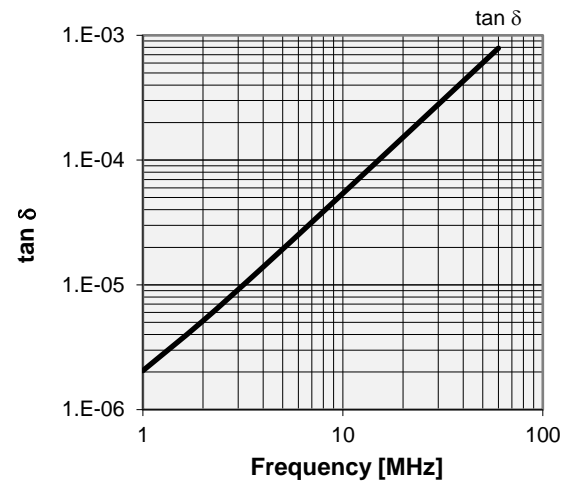
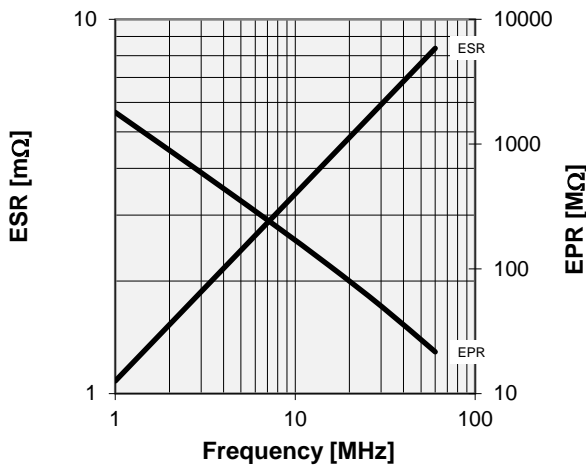
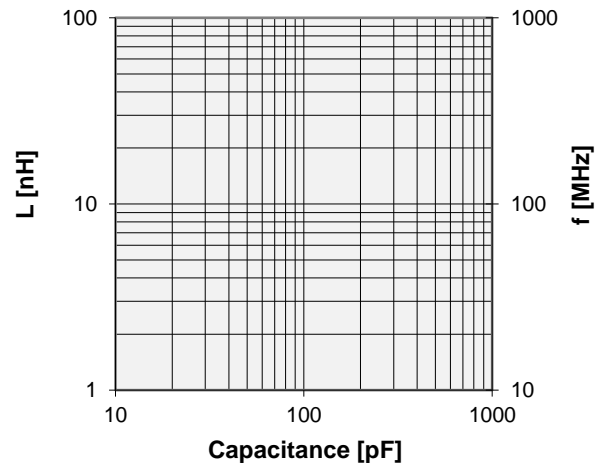
Issue: 25-Sep-2018

# CVUN-250CC/25-BGJL

Turns	Nominal Capacitance [pF]	Tolerance
-0.2	25.0	10%
0.0	30.6	0%
2.0	88.7	10%
4.0	146.8	10%
6.0	204.8	10%
7.6	250.0	10%

Mechanical stop at < 25 pF at ~ -1.2 turns  
 Mechanical stop at > 250 pF at ~ 8 turns

Self inductance and resonance frequency



<b>Special Features:</b>
RoHS Compliant