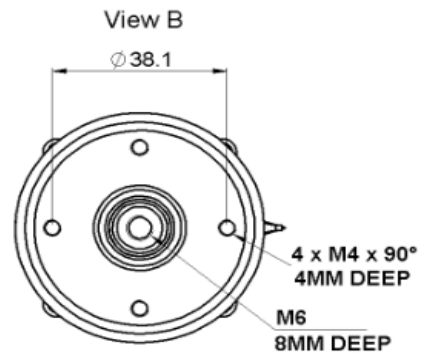
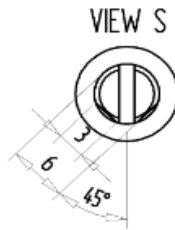
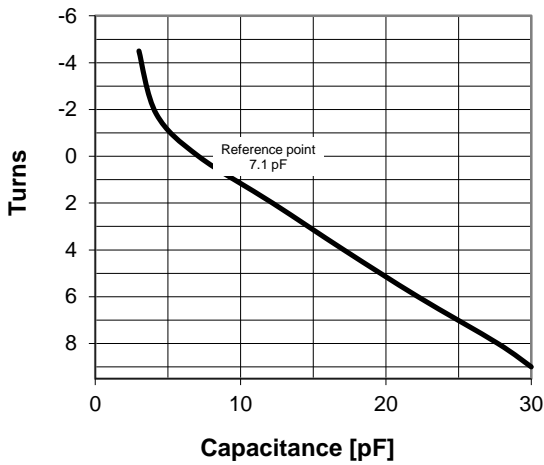
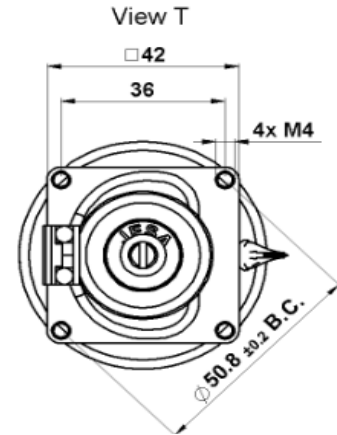
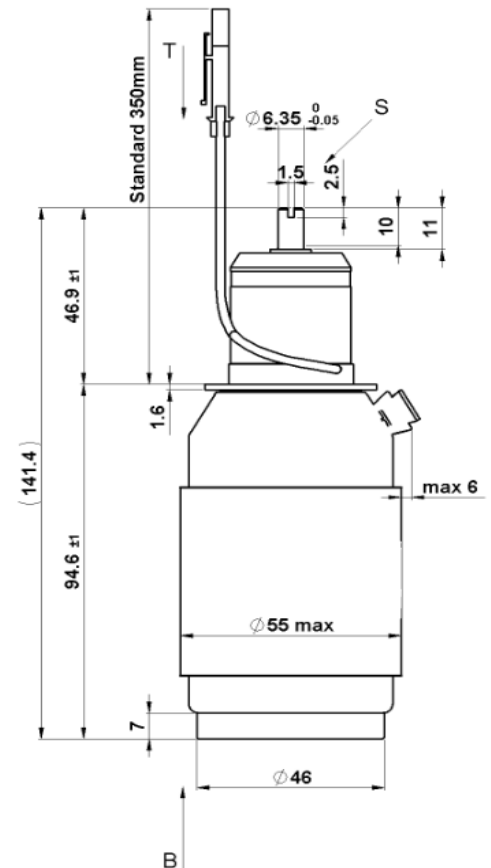
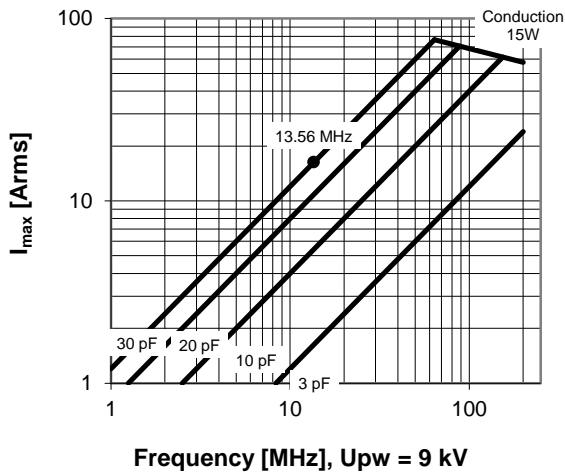


CVUN-30AC/15-BEAA-C

Specifications	
Capacitance C_{max} (nominal)	30 pF
Capacitance C_{min} (nominal)	3 pF
Voltage (Peak Test U_{pt} / Peak Working U_{pw})	15 kV / 9 kV
Capacitance Tolerance (linear Range)	10%
Max. Current I_{max} at 13.56 MHz with	16 Arms
Conduction Cooling	15 W
Self Inductance	≤ 8 nH
Capacitance per turn	2.5 pF/turn
Torque	≤ 0.2 Nm
Net Weight	0.58 kg



I_{max} at 25°C ambient and 125°C surface temp. for convection and conduction (15 W) cooling



Subject to change without prior notice

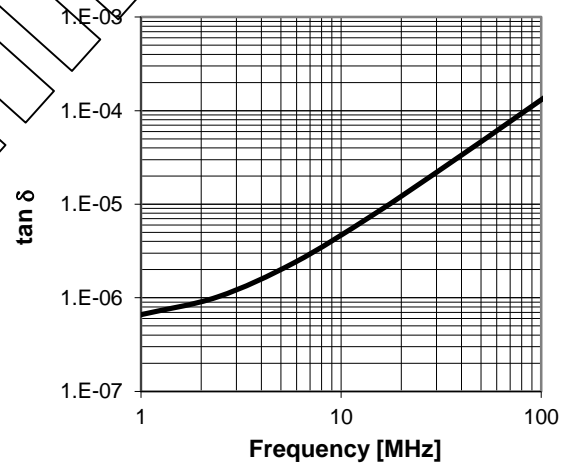
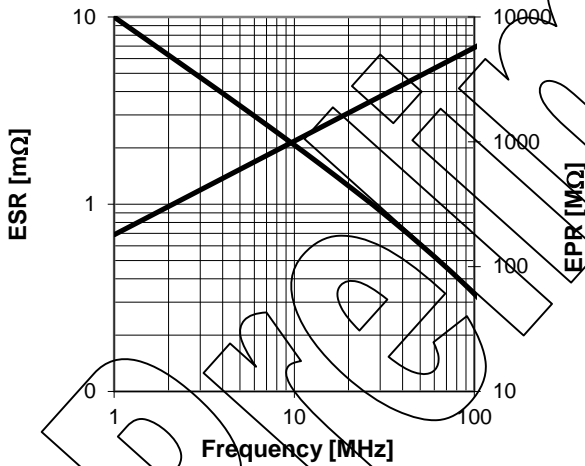
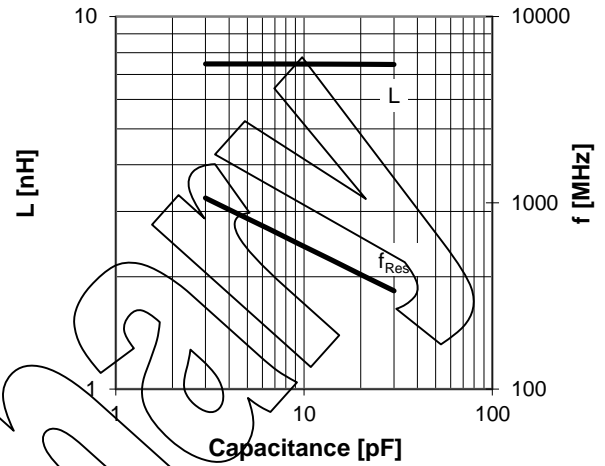
Note: Technical information in Service Bulletins SB-32 and SB-52 must be considered

CVUN-30AC/15-BEAA-C

Turns	Nominal Capacitance [pF]	Tolerance
-4.5	3.0	10%
-1.8	4.2	10%
0.0	7.1	0%
2.0	12.2	10%
4.0	17.1	10%
6.0	22.2	10%
8.0	27.7	10%
9.0	30.0	10%

Mechanical stop at < 3 pF at ~ -10.7 turns
Mechanical stop at > 30 pF at ~ 10.4 turns

Self inductance and resonance frequency



Special Features:

Opti-Cap 2000

Subject to change without prior notice

Note: Technical information in Service Bulletins
SB-32 and SB-52 must be considered