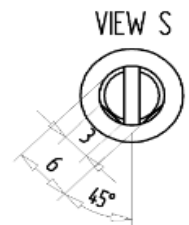
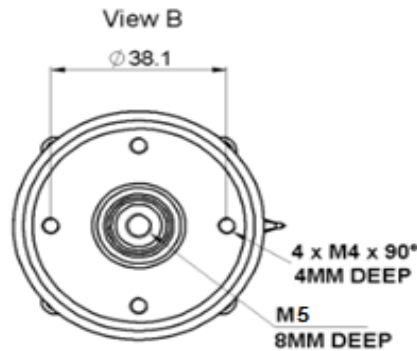
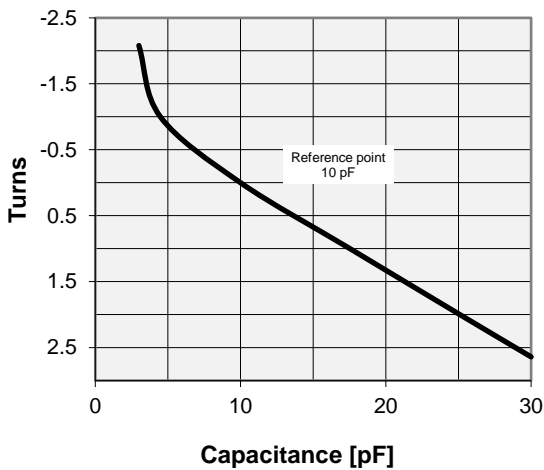
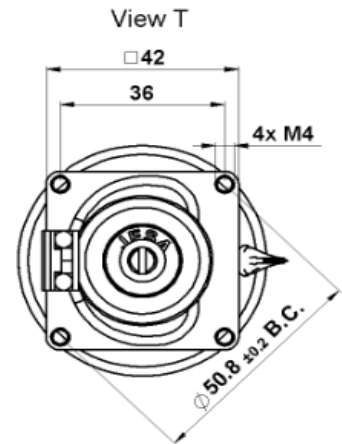


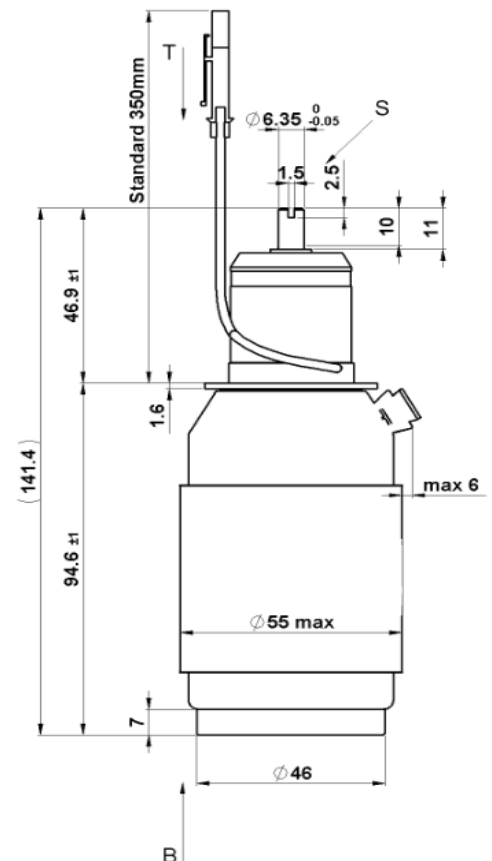
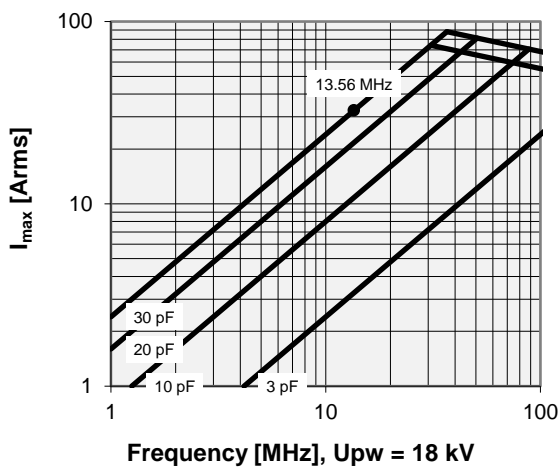
CVUN-30BC/30-BEFA-C

Specifications

Capacitance C_{max} (nominal)	30 pF
Capacitance C_{min} (nominal)	3 pF
Voltage (Peak Test U_{pt} / Peak Working U_{pw})	30 kV / 18 kV
Capacitance Tolerance (linear Range)	10%
Max. Current I_{max} at 13.56 MHz with	32 Arms
Conduction Cooling	15 W
Self Inductance	≤ 10 nH
Capacitance per turn	7.7 pF/turn
Torque	≤ 0.2 Nm
Net Weight	0.58 kg



I_{max} at 25°C ambient and 125°C surface temp. for convection and conduction (15 W) cooling



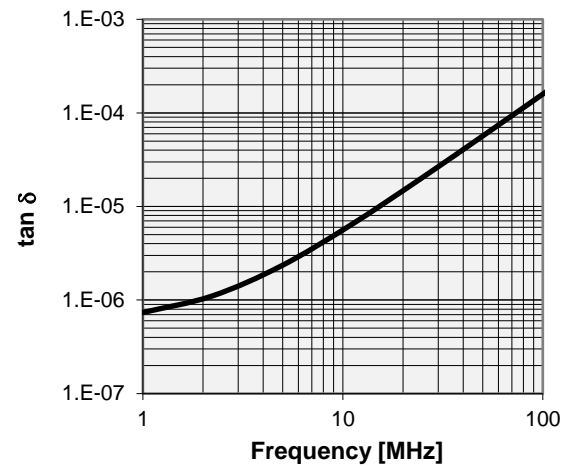
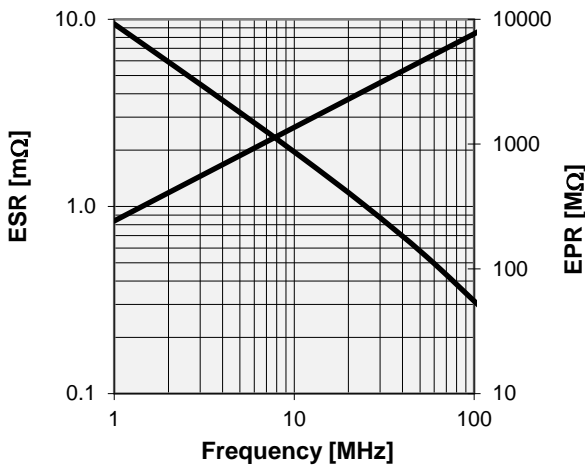
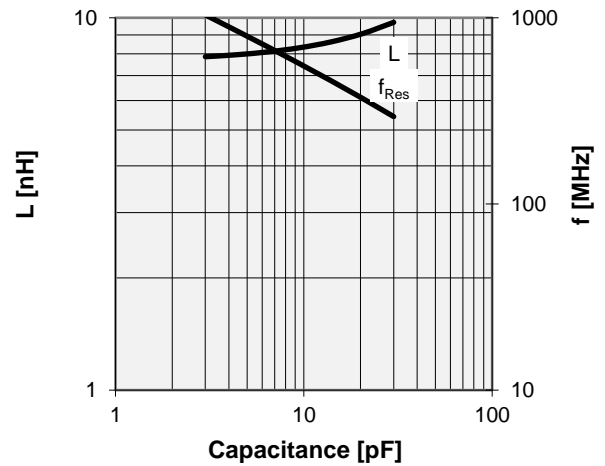
Note:
 Technical information in Service Bulletins
 SB-32 and SB-52 must be considered
 Subject to change without prior notice

CVUN-30BC/30-BEFA-C

Turns	Nominal Capacitance [pF]	Tolerance
-2.1	3.0	10%
-1.0	4.5	10%
0.0	10.0	0%
1.0	17.5	10%
2.0	25.1	10%
2.6	30.0	10%

Mechanical stop at < 3 pF at ~ -5.4 turns
 Mechanical stop at > 30 pF at ~ 2.9 turns

Self inductance and resonance frequency



Special Features:
Opti-Cap 2000

Note:
 Technical information in Service Bulletins
 SB-32 and SB-52 must be considered
 Subject to change without prior notice