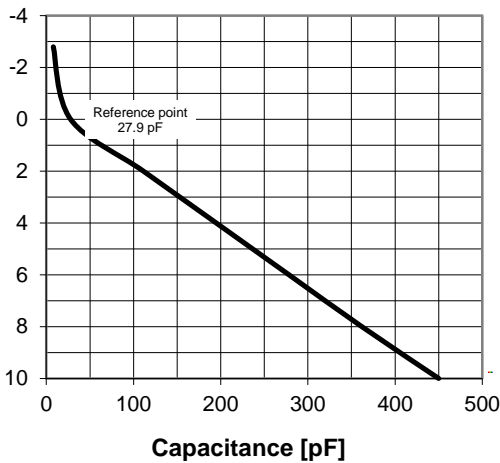
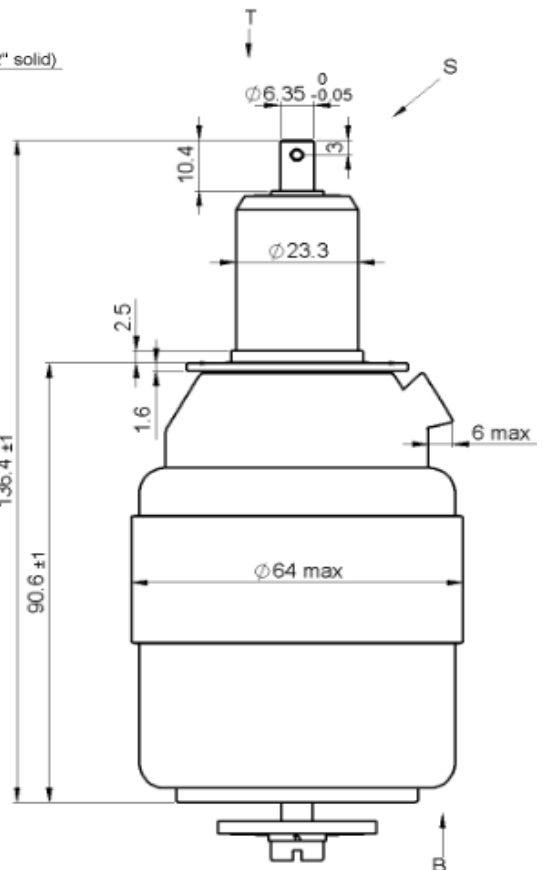
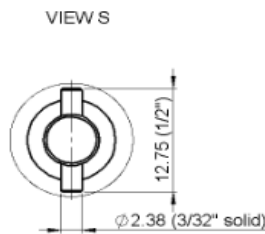
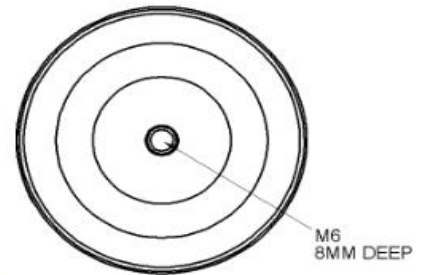
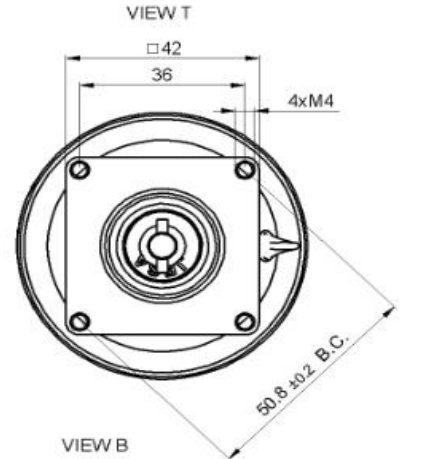


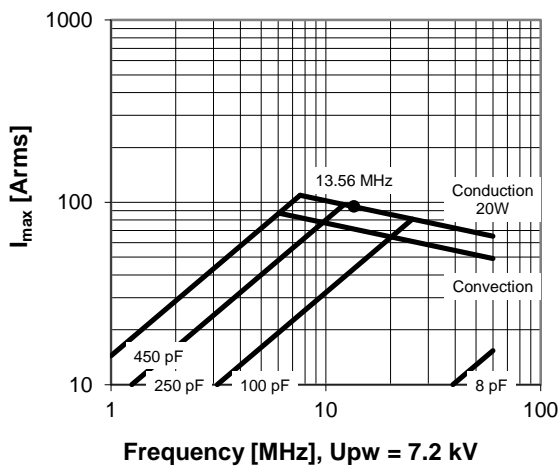
CVUN-450BC/12-BGJL

Specifications

Capacitance C_{max} (nominal)	450 pF
Capacitance C_{min} (nominal)	8 pF
Voltage (Peak Test U_{pt} / Peak Working U_{pw})	12 kV / 7.2 kV
Capacitance Tolerance (linear Range)	10%
Max. Current I_{max} at 13.56 MHz with	94 Arms
Conduction Cooling	20 W
Self Inductance	≤ 9 nH
Capacitance per turn	42.2 pF/turn
Torque	≤ 0.2 Nm
Net Weight	0.65 kg



I_{max} at 25°C ambient and 125°C surface temp. for convection and conduction (20 W) cooling



Subject to change without prior notice

Note: Technical information in Service Bulletin SB-52 must be considered

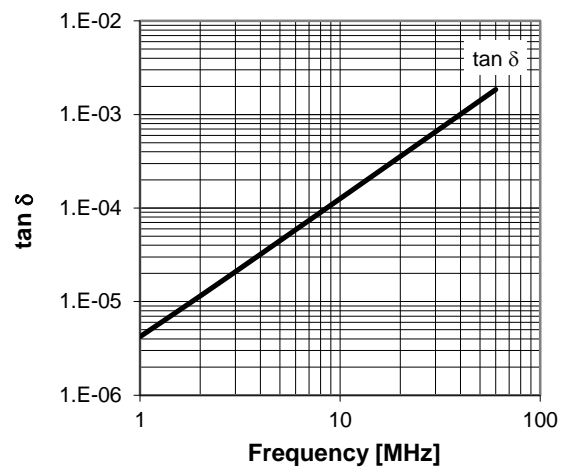
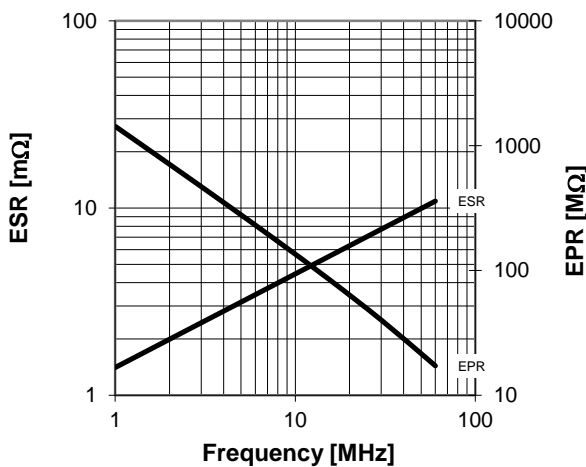
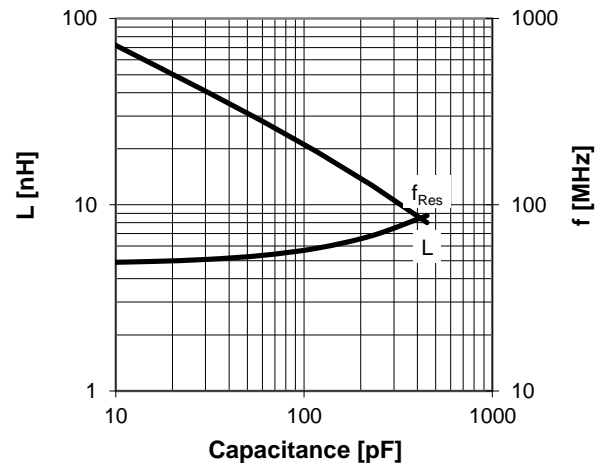
CVUN-450BC/12-BGJL

Turns	Nominal Capacitance [pF]	Tolerance
-2.8	8.0	10%
0.0	27.9	0%
2.0	111.4	10%
4.0	194.9	10%
6.0	278.3	10%
8.0	361.8	10%
10.0	450.0	10%

Mechanical stop at < 8 pF at ~ -3.1 turns
 Mechanical stop at > 450 pF at ~ 10.1 turns

Due to increased turns to reach Cmin position the lifetime of the belows will be reduced.
 Values shown in SB-56 are not valid.

Self inductance and resonance frequency



Special Features:

RoHS Compliant

Subject to change without prior notice

Note: Technical information in Service Bulletin
 SB-52 must be considered