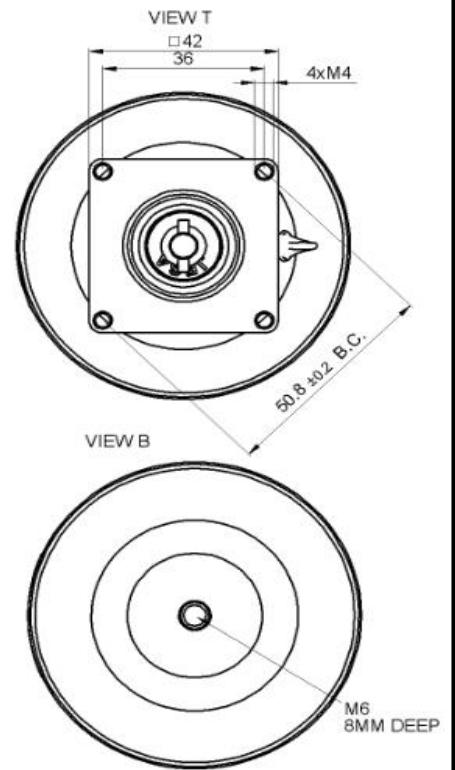
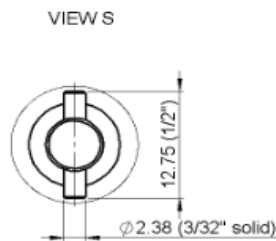
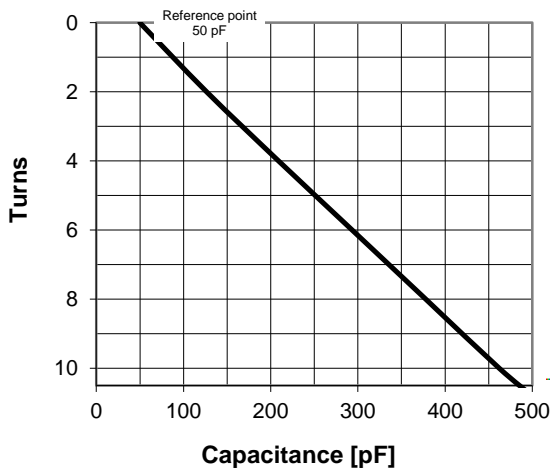
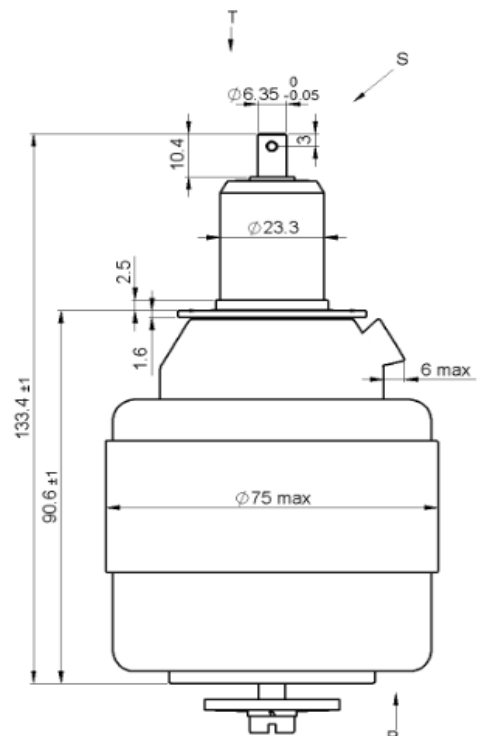
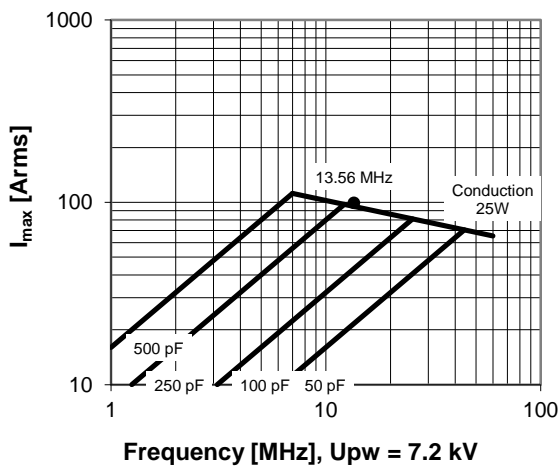


CVUN-500CC/12-BGJL

Specifications	
Capacitance C_{max} (nominal)	500 pF
Capacitance C_{min} (nominal)	50 pF
Voltage (Peak Test U_{pt} / Peak Working U_{pw})	12 kV / 7.2 kV
Capacitance Tolerance (linear Range)	10%
Max. Current I_{max} at 13.56 MHz with	99 Arms
Conduction Cooling	25 W
Capacitance per turn	41.7 pF/turn
Torque	≤ 0.2 Nm
Net Weight	0.8 kg



I_{max} at 25°C ambient and 125°C surface temp. for convection and conduction (25 W) cooling



Subject to change without prior notice

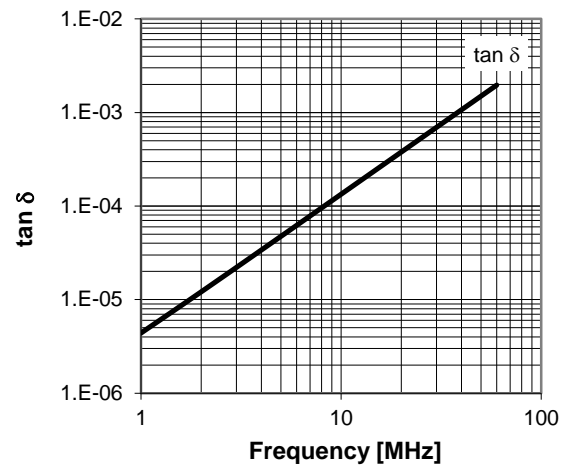
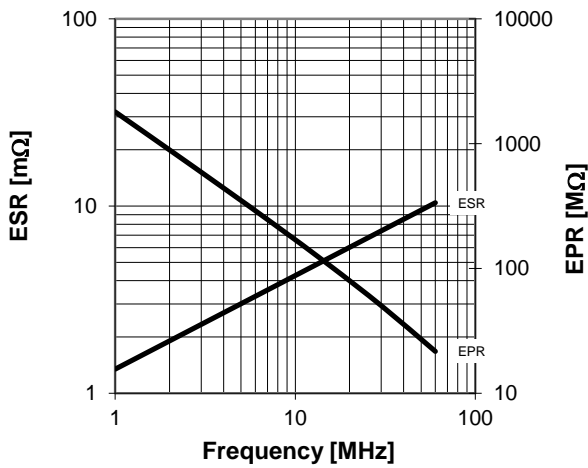
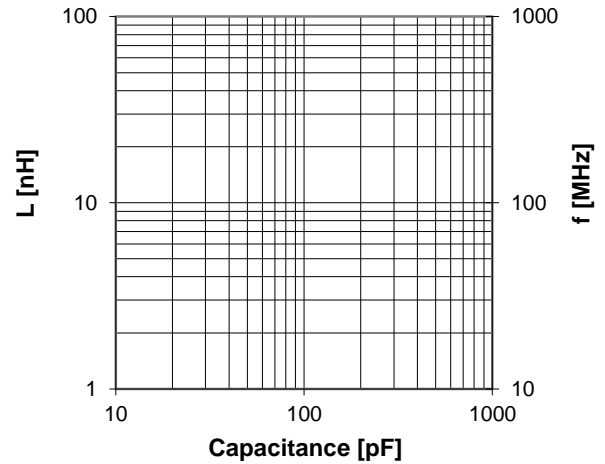
Note: Technical information in Service Bulletin
SB-52 must be considered

CVUN-500CC/12-BGJL

Turns	Nominal Capacitance [pF]	Tolerance
0.0	50.0	0%
2.0	126.5	10%
4.0	209.0	10%
6.0	293.4	10%
8.0	377.7	10%
10.0	462.0	10%
10.8	500.0	10%

Mechanical stop at < 50 pF at ~ -2.5 turns
Mechanical stop at > 500 pF at ~ 11 turns

Self inductance and resonance frequency



Special Features:

RoHS Compliant

Subject to change without prior notice

Note: Technical information in Service Bulletin
SB-52 must be considered