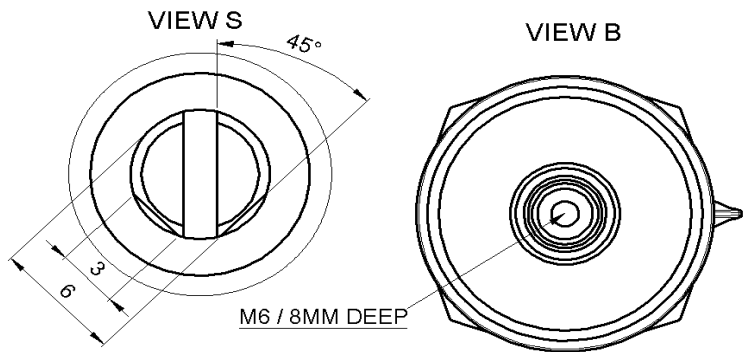
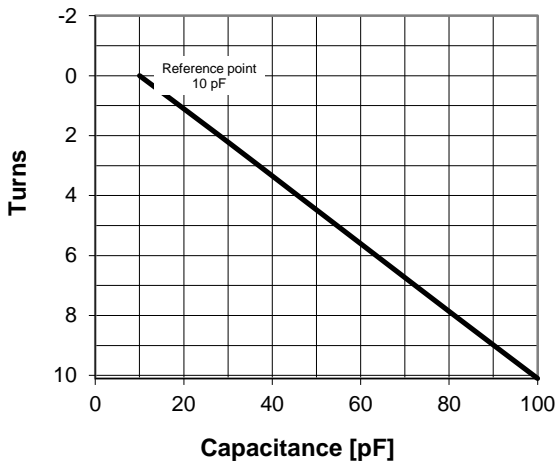
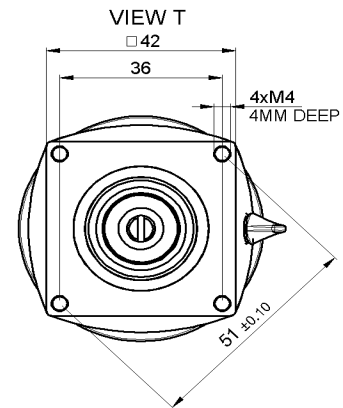


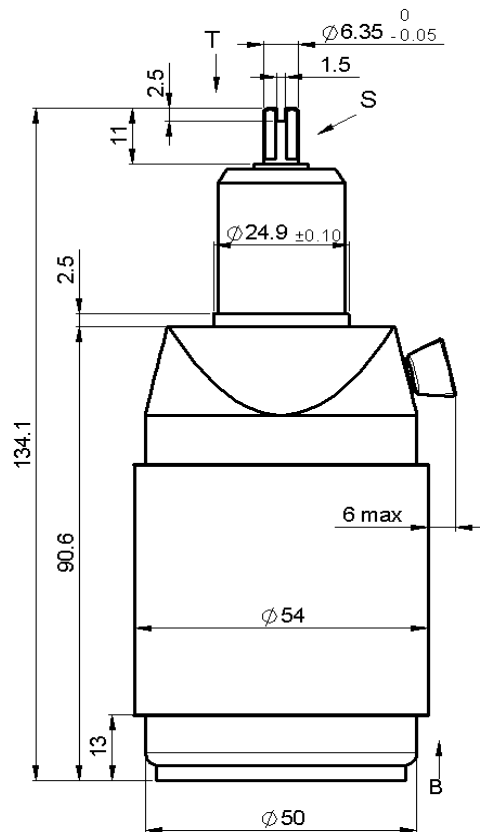
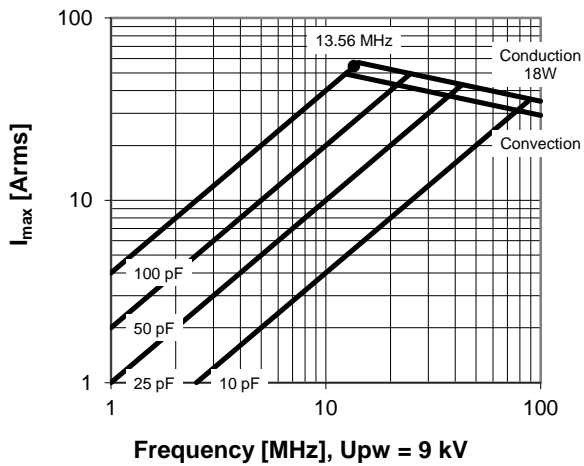
CVUS-100AC/15-BEJK

Specifications

Capacity C_{max} (nominal)	100 pF
Capacity C_{min} (nominal)	10 pF
Voltage (Peak Test U_{pt} / Peak Working U_{pw})	15 kV / 9 kV
Capacity Tolerance (linear Range)	10%
Max. Current I_{max} at 13.56 MHz with	54 Arms
Conduction Cooling	18 W
Self Inductance	≤ 6 nH
Capacitance per turn	8.9 pF/turn
Torque	≤ 0.2 Nm
Net Weight	0.6 kg



I_{max} at 25°C ambient and 125°C surface temp. for convection and conduction (18 W) cooling



Subject to change without prior notice

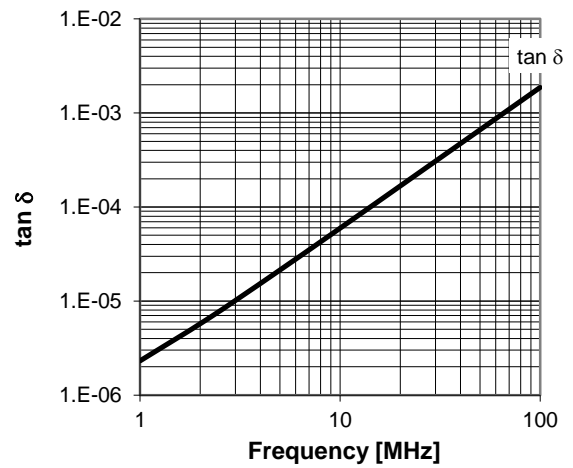
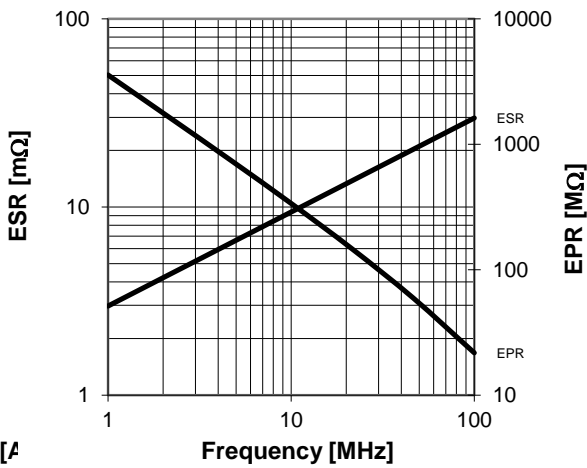
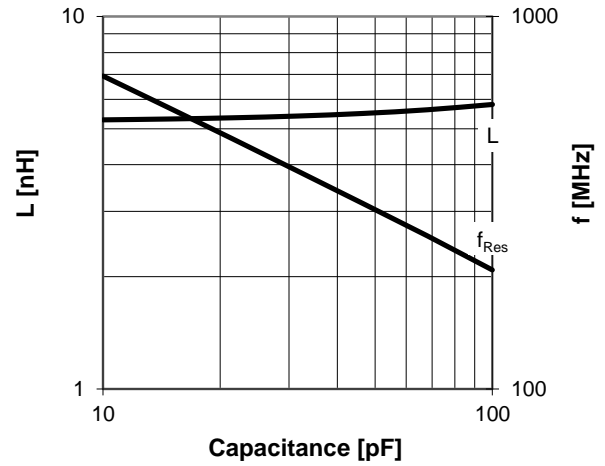
Note: Technical information in Service Bulletin SB-52 must be considered

CVUS-100AC/15-BEJK

Turns	Nominal Capacitance [pF]	Tolerance
0.0	10.0	0%
2.0	28.1	10%
4.0	45.8	10%
6.0	63.5	10%
8.0	81.2	10%
10.1	100.0	10%

Mechanical stop at < 10 pF at ~ -2.8 turns
Mechanical stop at > 100 pF at ~ 10.1 turns

Self inductance and resonance frequency



Special Feature

RoHS compliant

Subject to change without prior notice

Note: Technical information in Service Bulletin
SB-52 must be considered