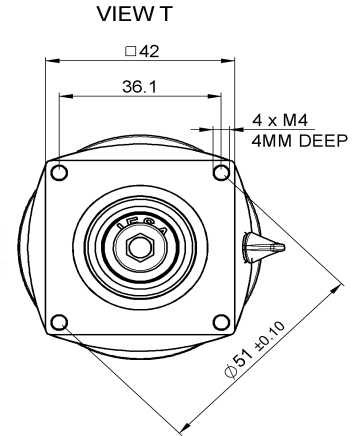
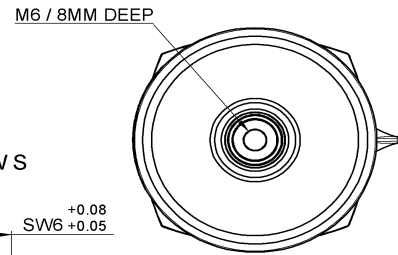


## CVUS-100AC/15-JHJK

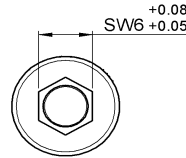
Specifications	
Capacity $C_{max}$ (nominal)	100 pF
Capacity $C_{min}$ (nominal)	10 pF
Voltage (Peak Test $U_{pt}$ / Peak Working $U_{pw}$ )	15 kV / 9 kV
Capacity Tolerance (linear Range)	10%
Max. Current $I_{max}$ at 13.56 MHz with	54 Arms
Conduction Cooling	18 W
Self Inductance	$\leq 6$ nH
Capacitance per turn	8.9 pF/turn
Torque	$\leq 0.2$ Nm
Net Weight	0.6 kg



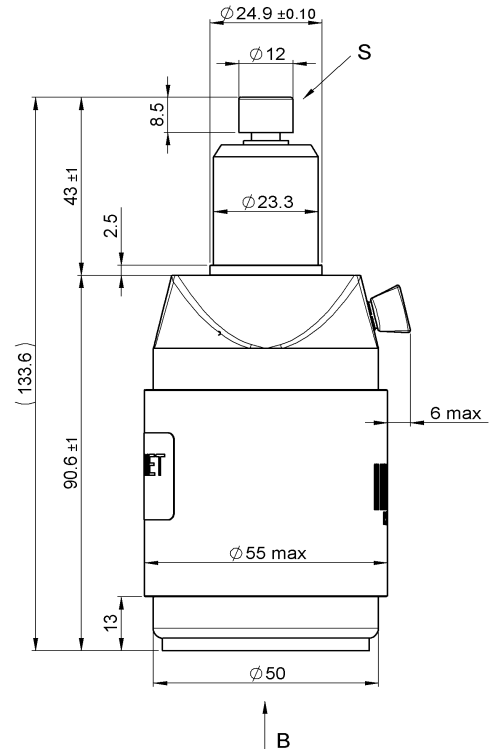
VIEW B



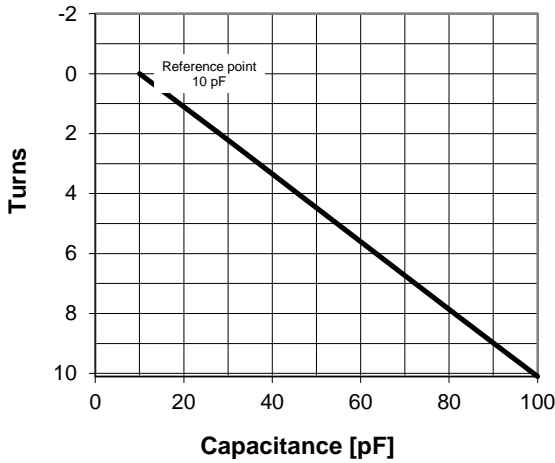
VIEW S



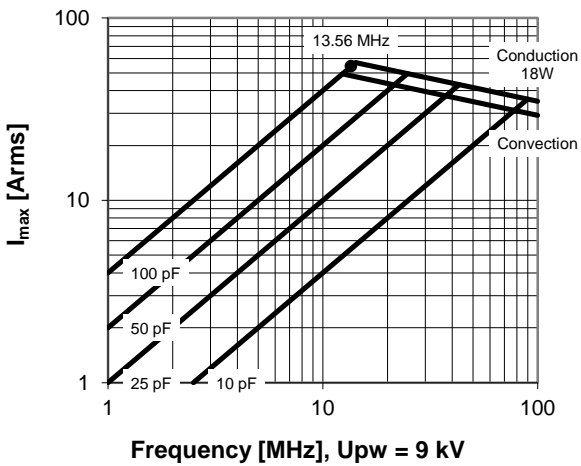
T



B



$I_{max}$  at 25°C ambient and 125°C surface temp. for convection and conduction (18 W) cooling



Subject to change without prior notice

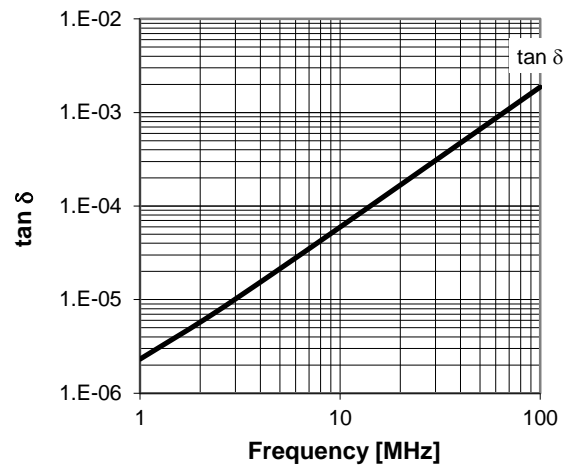
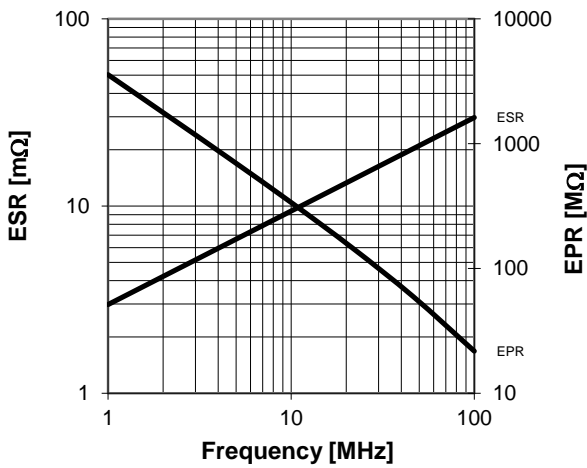
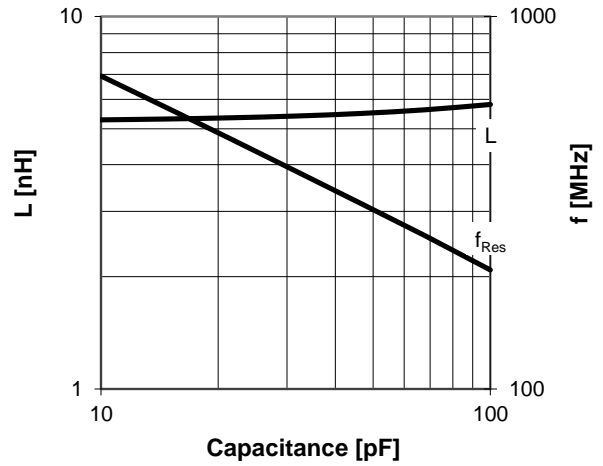
Note: Technical information in Service Bulletin SB-52 must be considered

## CVUS-100AC/15-JHJK

Turns	Nominal Capacitance [pF]	Tolerance
0.0	10.0	0%
2.0	28.1	10%
4.0	45.8	10%
6.0	63.5	10%
8.0	81.2	10%
10.1	100.0	10%

Mechanical stop at < 10 pF at ~ -2.8 turns  
Mechanical stop at > 100 pF at ~ 10.1 turns

Self inductance and resonance frequency



### Special Feature

RoHS compliant

Subject to change without prior notice

Note: Technical information in Service Bulletin  
SB-52 must be considered