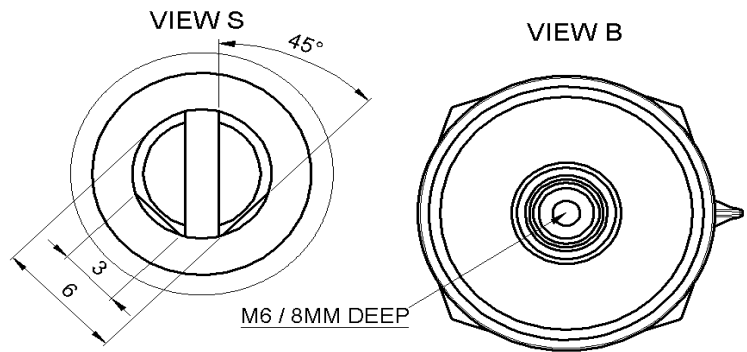
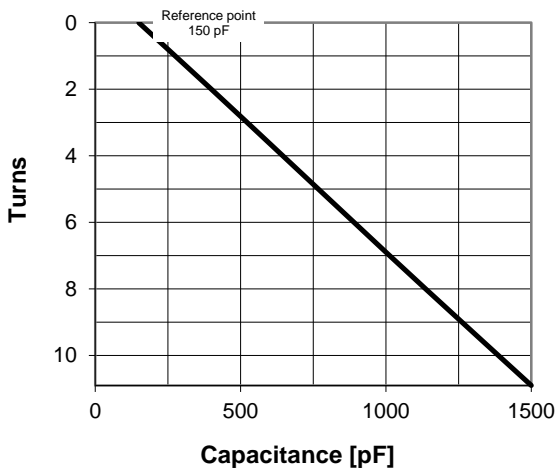
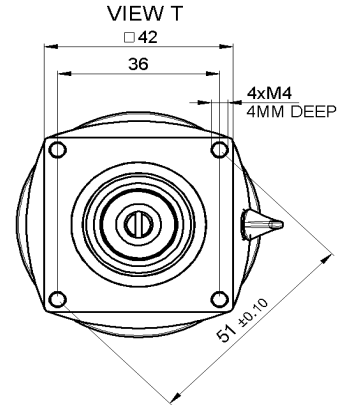
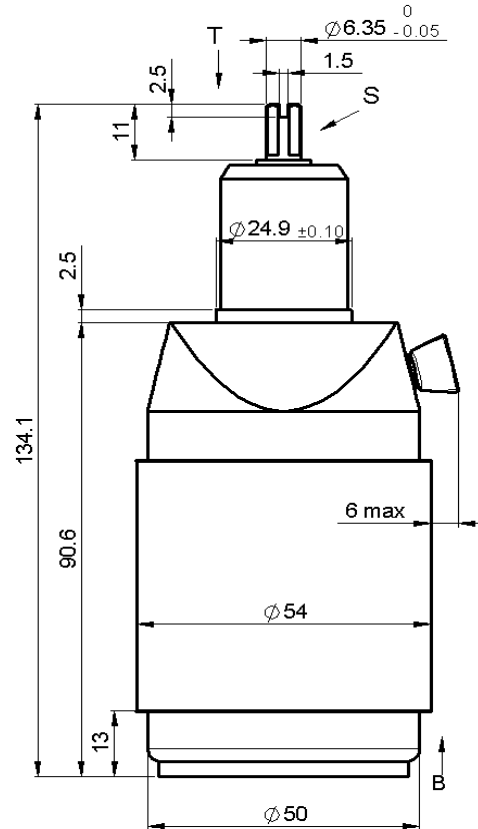
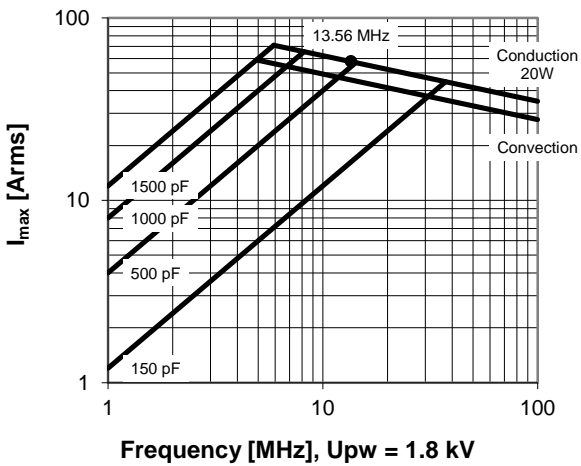


CVUS-1500AC/3-BEJK

Specifications	
Capacity C_{max} (nominal)	1500 pF
Capacity C_{min} (nominal)	150 pF
Voltage (Peak Test U_{pt} / Peak Working U_{pw})	3 kV / 1.8 kV
Capacity Tolerance (linear Range)	10%
Max. Current I_{max} at 13.56 MHz with	57 Arms
Conduction Cooling	20 W
Self Inductance	≤ 8 nH
Capacitance per turn	123.9 pF/turn
Torque	≤ 0.2 Nm
Net Weight	0.6 kg



I_{max} at 25°C ambient and 125°C surface temp. for convection and conduction (20 W) cooling



Subject to change without prior notice

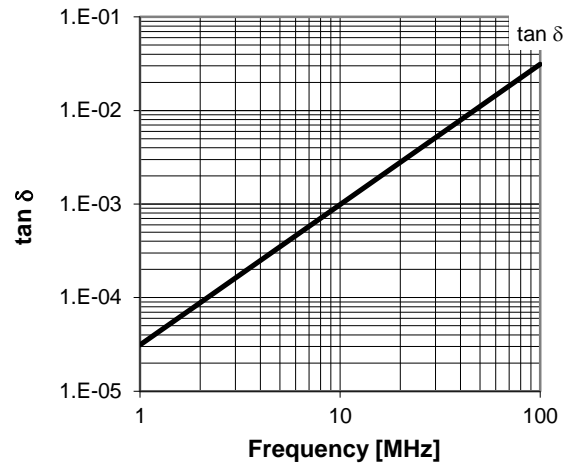
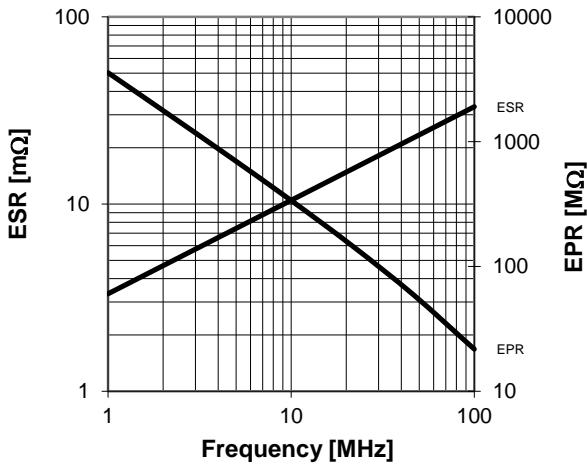
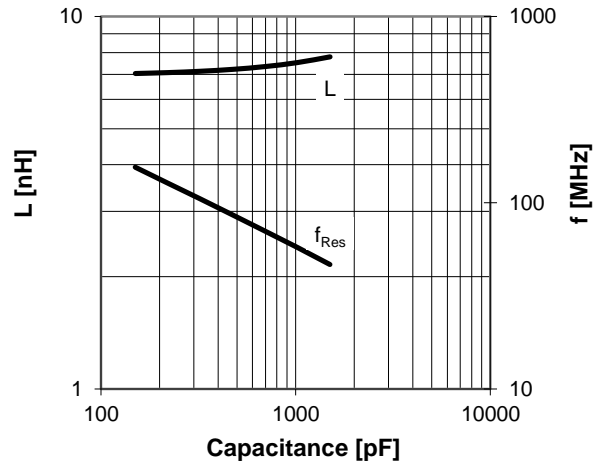
Note: Technical information in Service Bulletin SB-52 must be considered

CVUS-1500AC/3-BEJK

Turns	Nominal Capacitance [pF]	Tolerance
0.0	150.0	0%
2.0	399.6	10%
4.0	645.3	10%
6.0	890.2	10%
8.0	1136.6	10%
10.9	1500.0	10%

Mechanical stop at < 150 pF at ~ -0.7 turns
Mechanical stop at > 1500 pF at ~ 11 turns

Self inductance and resonance frequency



Special Features:

RoHS Compliant

Subject to change without prior notice

Note: Technical information in Service Bulletin
SB-52 must be considered