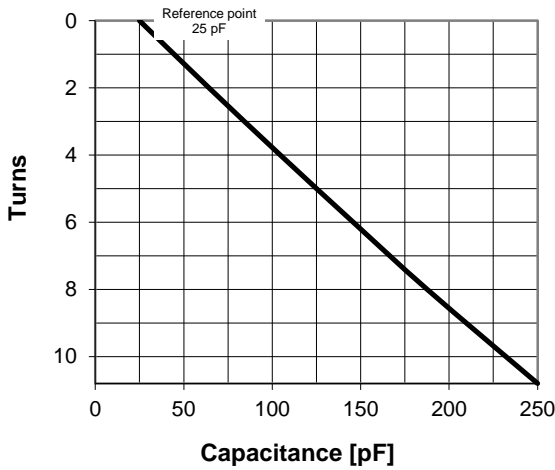
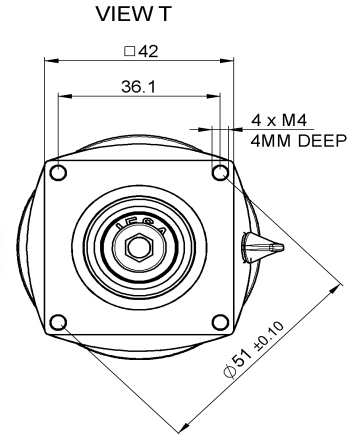


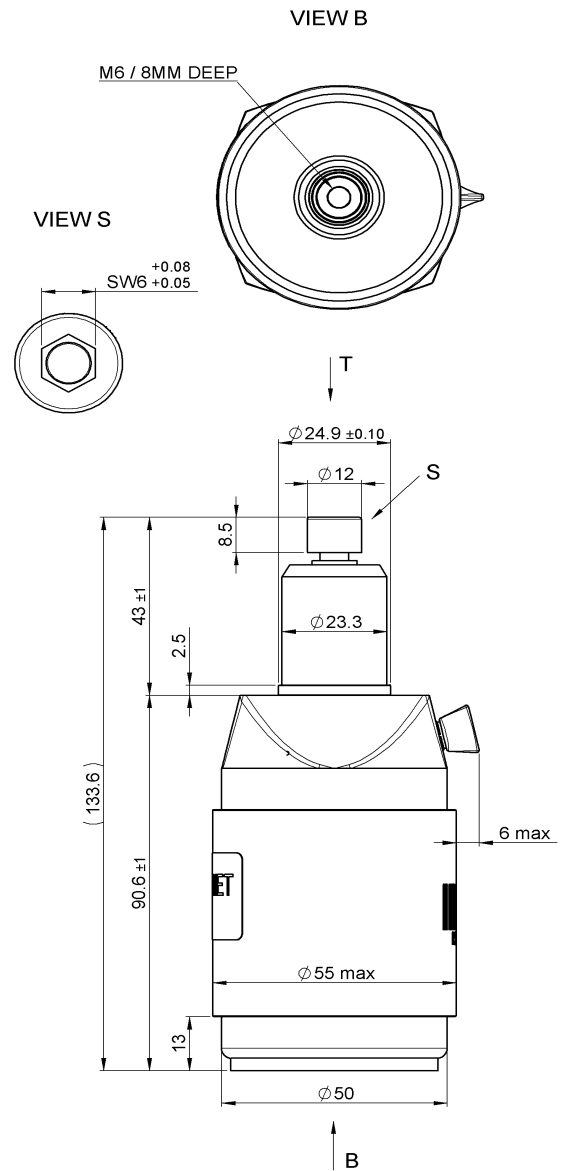
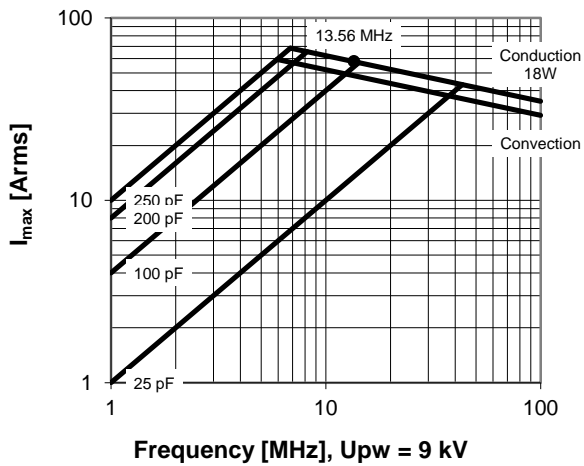
## CVUS-250AC/15-JHJK

### Specifications

Capacity $C_{max}$ (nominal)	250 pF
Capacity $C_{min}$ (nominal)	25 pF
Voltage (Peak Test $U_{pt}$ / Peak Working $U_{pw}$ )	15 kV / 9 kV
Capacity Tolerance (linear Range)	10%
Max. Current $I_{max}$ at 13.56 MHz with	57 Arms
Conduction Cooling	18 W
Self Inductance	$\leq 7$ nH
Capacitance per turn	20.8 pF/turn
Torque	$\leq 0.2$ Nm
Net Weight	0.6 kg



$I_{max}$  at 25°C ambient and 125°C surface temp. for convection and conduction (18 W) cooling



Subject to change without prior notice

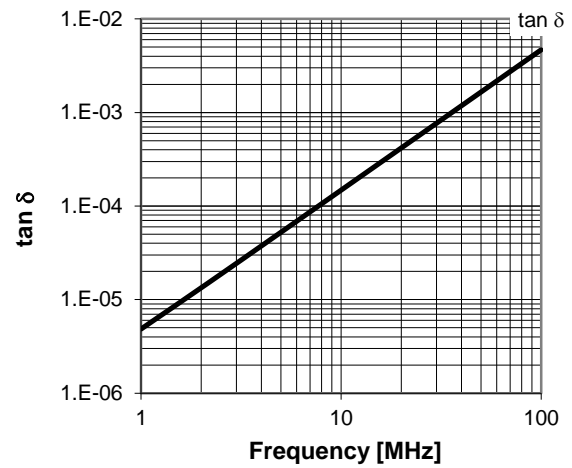
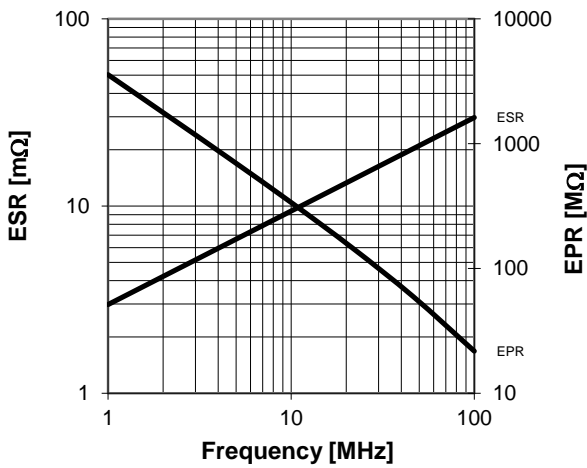
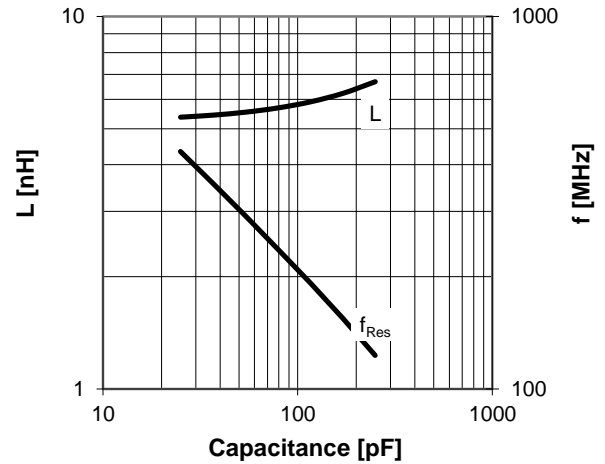
Note: Technical information in Service Bulletin SB-52 must be considered

## CVUS-250AC/15-JHJK

Turns	Nominal Capacitance [pF]	Tolerance
0.0	25.0	0%
2.0	64.3	10%
4.0	104.6	10%
6.0	145.8	10%
8.0	187.6	10%
10.8	250.0	10%

Mechanical stop at < 25 pF at ~ -0.8 turns  
Mechanical stop at > 250 pF at ~ 11 turns

Self inductance and resonance frequency



### Special Feature

RoHS compliant

Subject to change without prior notice

Note: Technical information in Service Bulletin  
SB-52 must be considered