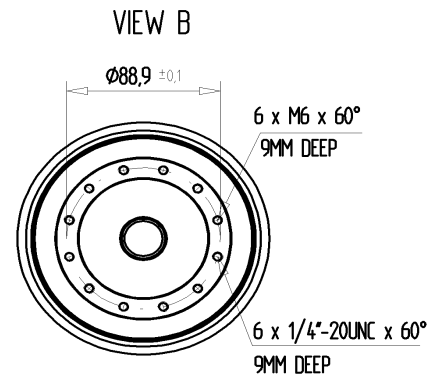
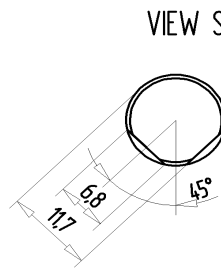
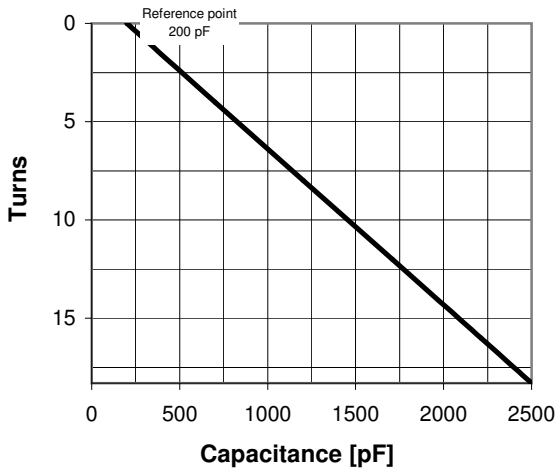
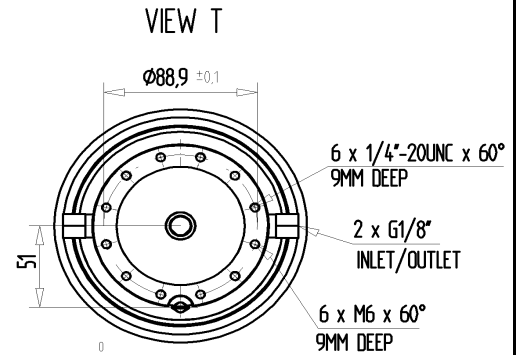


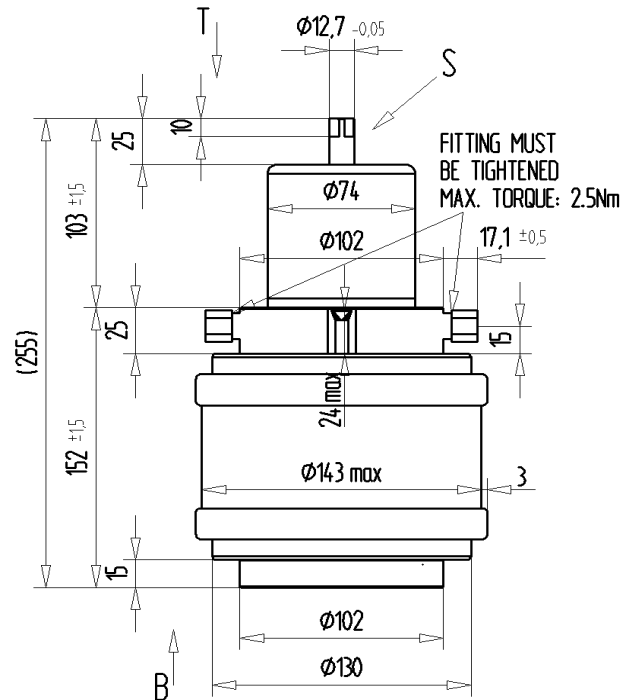
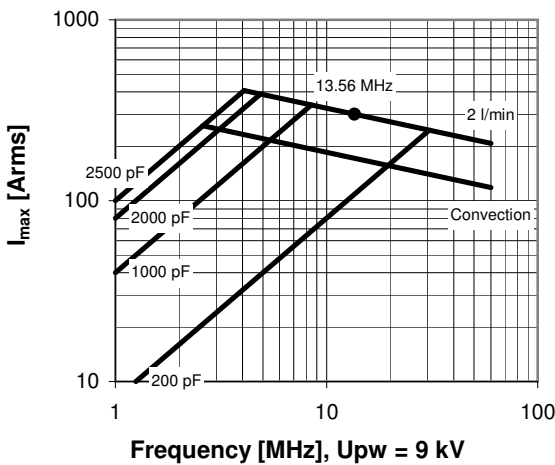
## CVHI-2500AW/15-ADUB

### Specifications

Capacity $C_{max}$ (nominal)	2500 pF
Capacity $C_{min}$ (nominal)	200 pF
Voltage (Peak Test $U_{pt}$ / Peak Working $U_{pw}$ )	15 kV / 9 kV
Capacity Tolerance (linear Range)	10%
Max. Current $I_{max}$ at 13.56 MHz with	300 Arms
Water Cooling	2 l/min
Self Inductance	$\leq 15$ nH
Capacitance per turn	125.7 pF/turn
Torque	$\leq 0.8$ Nm
Net Weight	6.5 kg



$I_{max}$  for 2 l/min water cooling; max. water temp. at inlet: 70°C;  
fixed end has to be cooled with min. 50 W



## CVHI-2500AW/15-ADUB

Turns	Nominal Capacitance [pF]	Tolerance
0.0	200.0	0%
4.0	700.6	10%
8.0	1203.3	10%
12.0	1708.0	10%
16.0	2211.8	10%
18.3	2500.0	10%

Mechanical stop at < 200 pF at ~ -2.8 turns  
Mechanical stop at > 2500 pF at ~ 18.5 turns

Self inductance and resonance frequency

