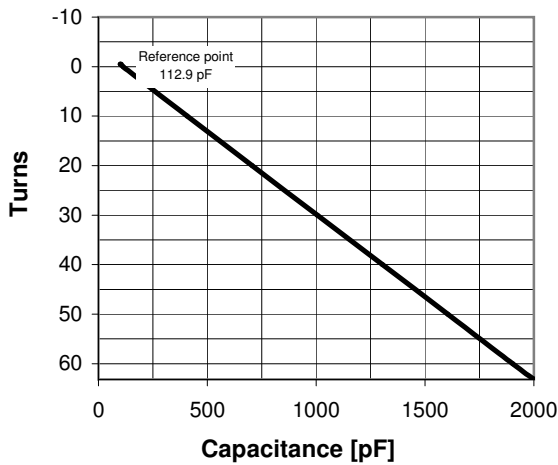


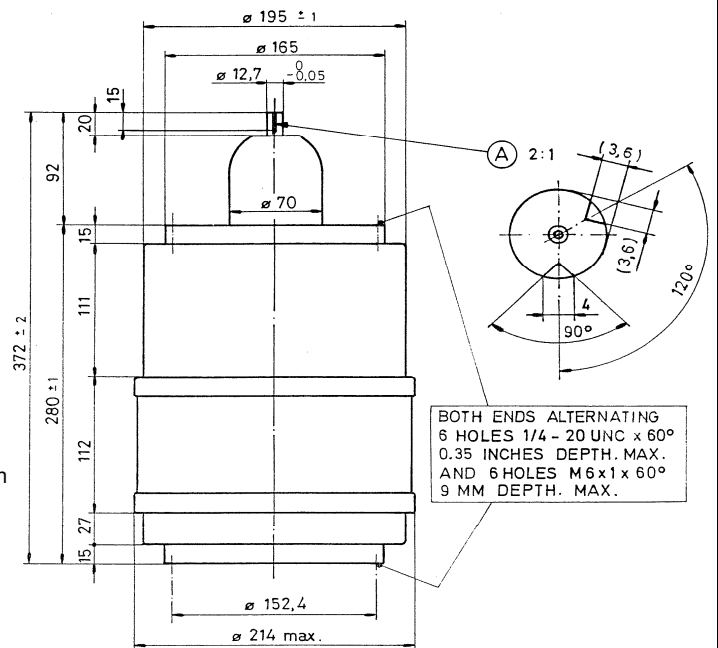
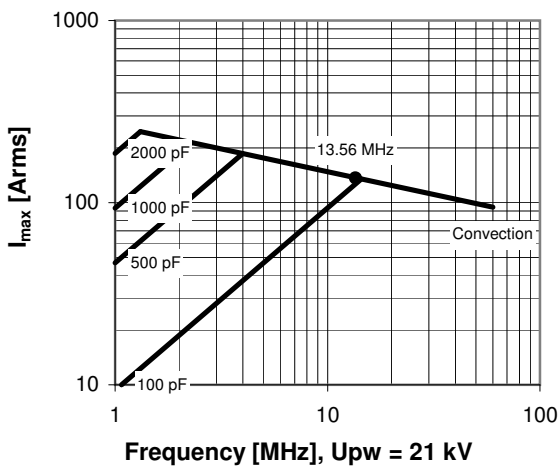
CVLA-2000AC/35-ABB

Old Type Designation: CV2C-2000EB

Specifications	
Capacity C_{max} (nominal)	2000 pF
Capacity C_{min} (nominal)	100 pF
Voltage (Peak Test U_{pt} / Peak Working U_{pw})	35 kV / 21 kV
Capacity Tolerance (linear Range)	10%
Max. Current I_{max} at 13.56 MHz	136 Arms
Capacitance per turn	29.9 pF/turn
Torque	≤ 1.5 Nm
Net Weight	17 kg



I_{max} at 25°C ambient and 125°C surface temp. for convection cooling



Subject to change without prior notice

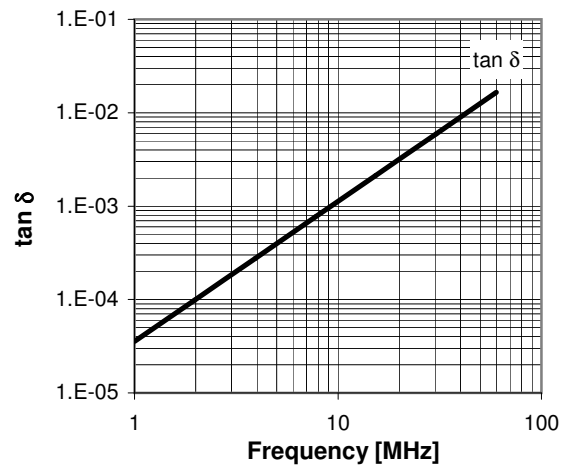
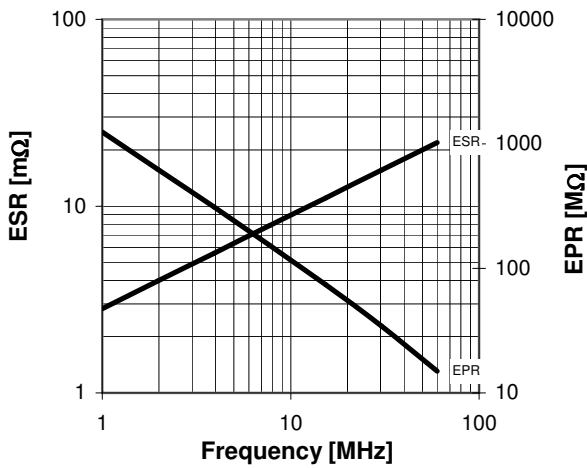
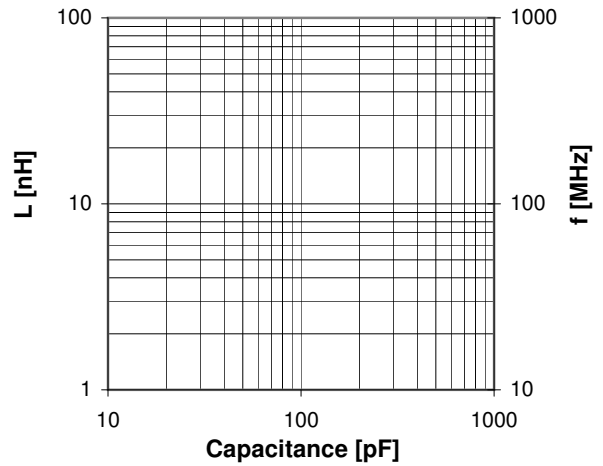
Note: Technical information in Service Bulletin
SB-52 must be considered

Issue: 14-Feb-2012

Turns	Nominal Capacitance [pF]	Tolerance
-0.5	100.0	10%
0.0	112.9	0%
10.0	407.0	10%
20.0	706.1	10%
30.0	1005.5	10%
40.0	1304.7	10%
50.0	1604.1	10%
60.0	1903.5	10%
63.2	2000.0	10%

Mechanical stop at < 100 pF at ~ -2.8 turns
 Mechanical stop at > 2000 pF at ~ 63.6 turns

Self inductance and resonance frequency



Subject to change without prior notice

Note: Technical information in Service Bulletin SB-52 must be considered

Issue: 14-Feb-2012