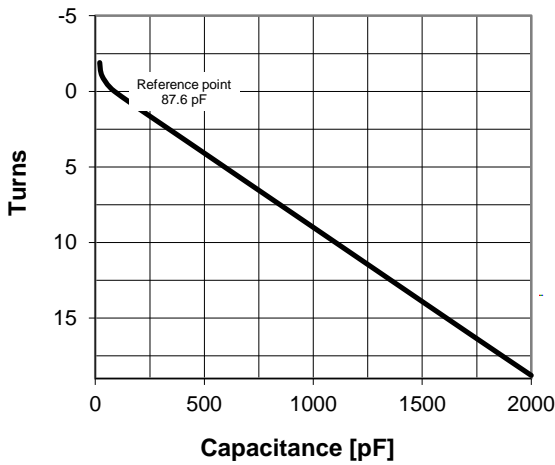
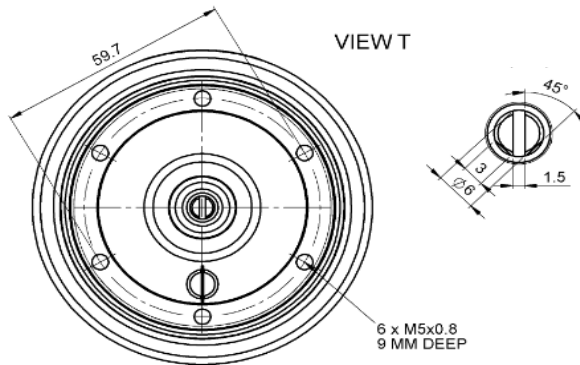
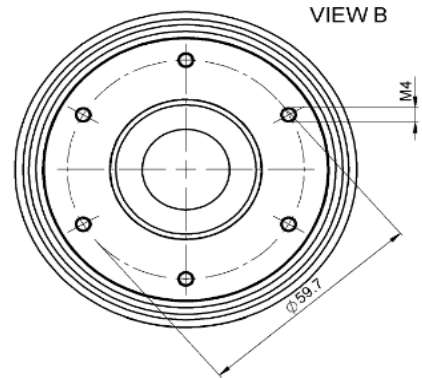


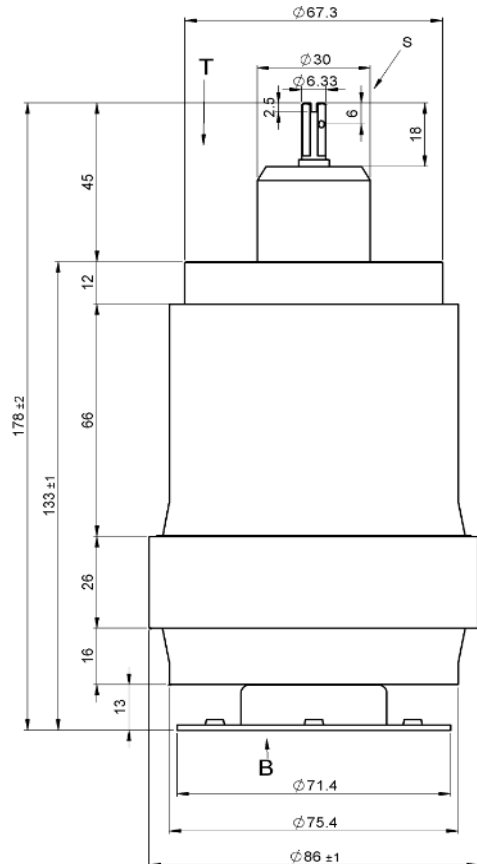
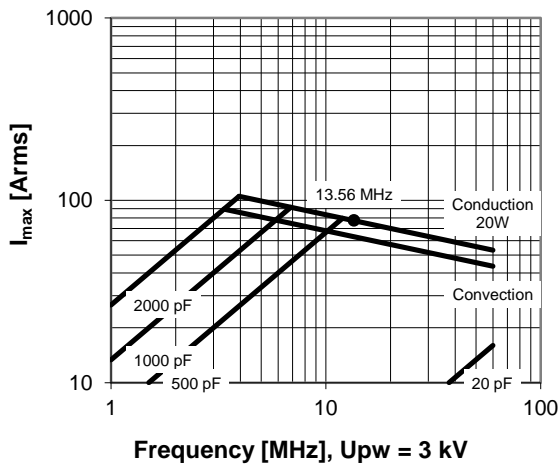
CVMI-2000AC/5-BUCL-L

Specifications

Capacitance C_{max} (nominal)	2000 pF
Capacitance C_{min} (nominal)	20 pF
Voltage (Peak Test U_{pt} / Peak Working U_{pw})	5 kV / 3 kV
Capacitance Tolerance (linear Range)	10%
Max. Current I_{max} at 13.56 MHz with	77 Arms
Conduction Cooling	20 W
Self Inductance	≤ 13 nH
Capacitance per turn	101.7 pF/turn
Torque	≤ 0.3 Nm
Net Weight	1.6 kg



I_{max} at 25°C ambient and 125°C surface temp. for convection and conduction (20 W) cooling



Subject to change without prior notice

Note: Technical information in Service Bulletin SB-52 must be considered

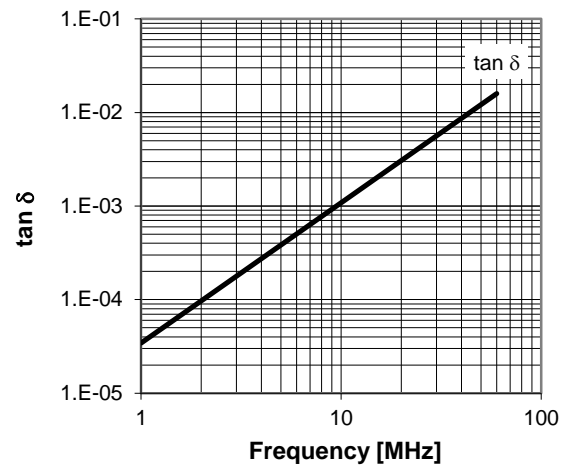
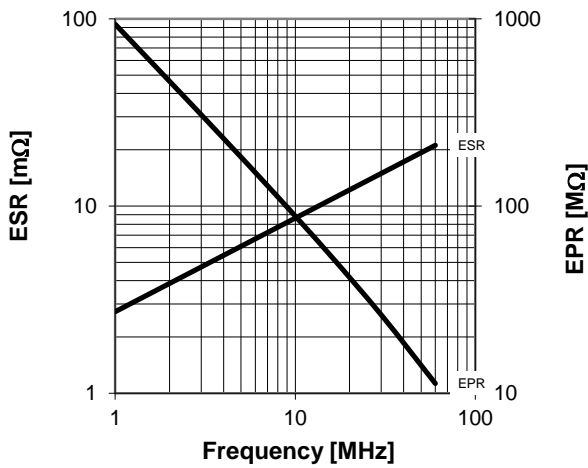
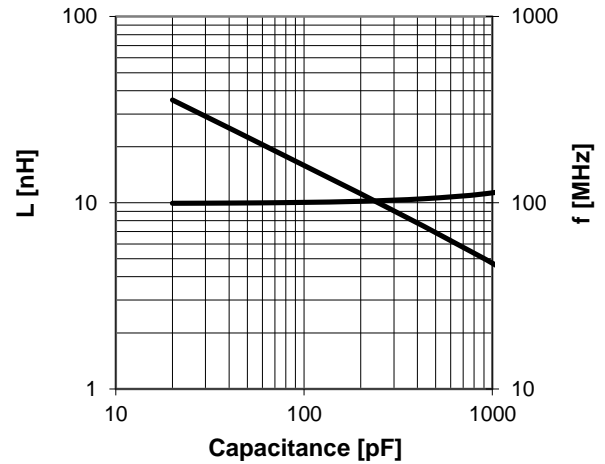
Issue: 12-Jun-2015

CVMI-2000AC/5-BUCL-L

Turns	Nominal Capacitance [pF]	Tolerance
-1.9	20.0	10%
-1.0	31.4	10%
0.0	87.6	0%
4.0	490.6	10%
8.0	897.9	10%
12.0	1305.1	10%
16.0	1712.3	10%
18.8	2000.0	10%

Mechanical stop at < 20 pF at ~ -4.2 turns
Mechanical stop at > 2000 pF at ~ 19 turns

Self inductance and resonance frequency



Special Features:

Integrated Flange, RoHS Compliant

Subject to change without prior notice

Note: Technical information in Service Bulletin
SB-52 must be considered