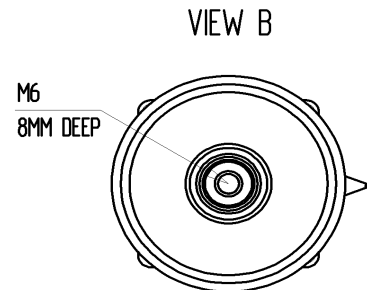
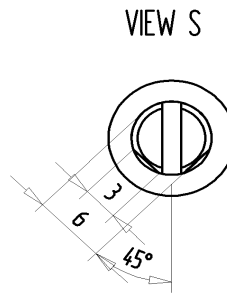
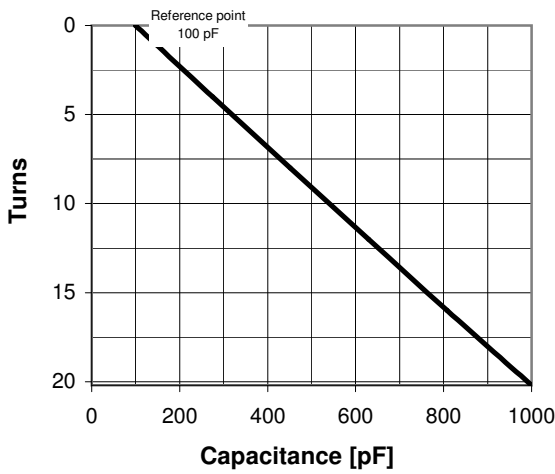
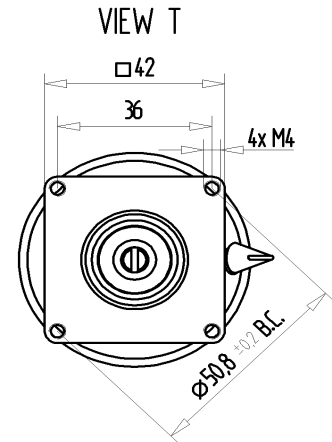


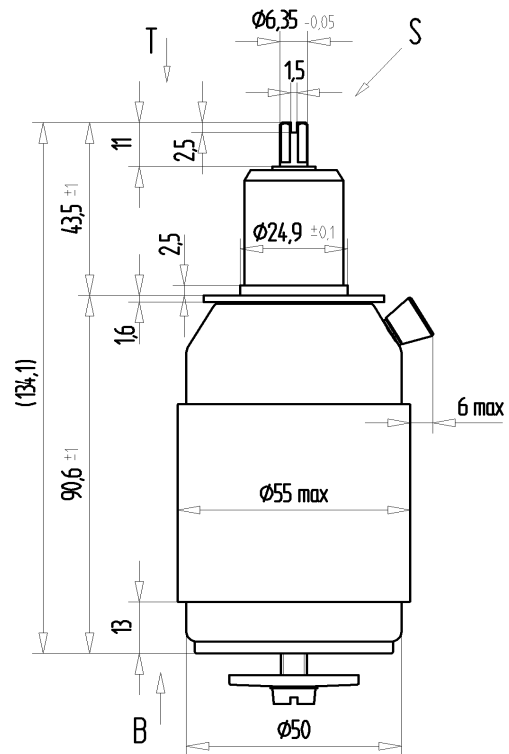
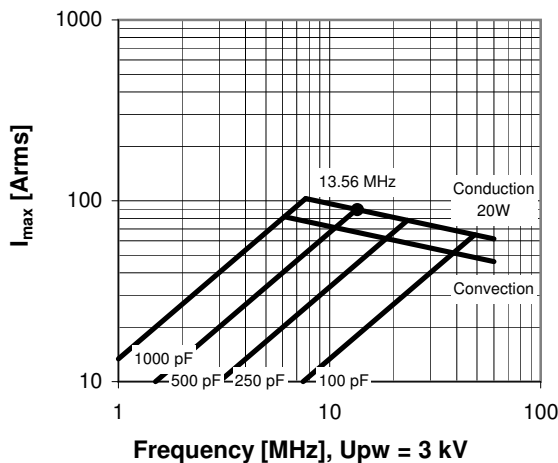
CVUN-1000AC/5-BEAA

Old Type Designation: CV05C-1000UCM

Specifications	
Capacity C_{max} (nominal)	1000 pF
Capacity C_{min} (nominal)	100 pF
Voltage (Peak Test U_{pt} / Peak Working U_{pw})	5 kV / 3 kV
Capacity Tolerance (linear Range)	10%
Max. Current I_{max} at 13.56 MHz with	89 Arms
Conduction Cooling	20 W
Self Inductance	≤ 9 nH
Capacitance per turn	44.6 pF/turn
Torque	≤ 0.2 Nm
Net Weight	0.58 kg



I_{max} at 25°C ambient and 125°C surface temp. for convection and conduction (20 W) cooling



CVUN-1000AC/5-BEAA

Old Type Designation: CV05C-1000UCM

Turns	Nominal Capacitance [pF]	Tolerance
0.0	100.0	0%
4.0	274.8	10%
8.0	451.4	10%
12.0	629.4	10%
16.0	807.5	10%
20.2	1000.0	10%

Mechanical stop at < 100 pF at ~ -0.7 turns
Mechanical stop at > 1000 pF at ~ 20.6 turns

Self inductance and resonance frequency

