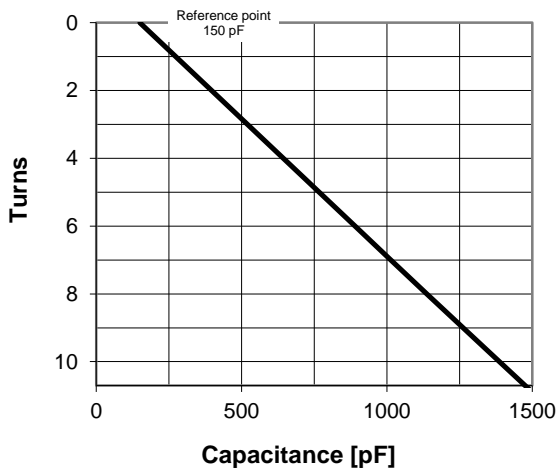


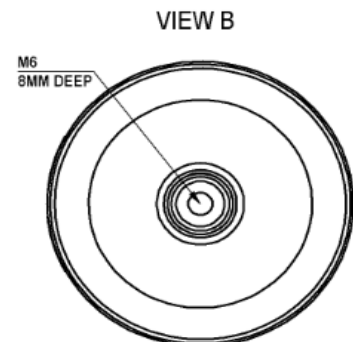
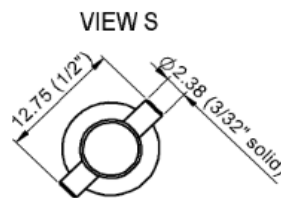
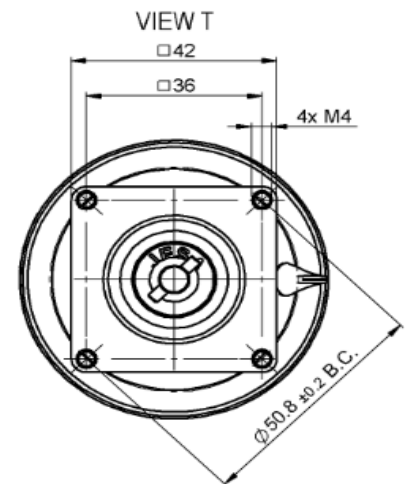
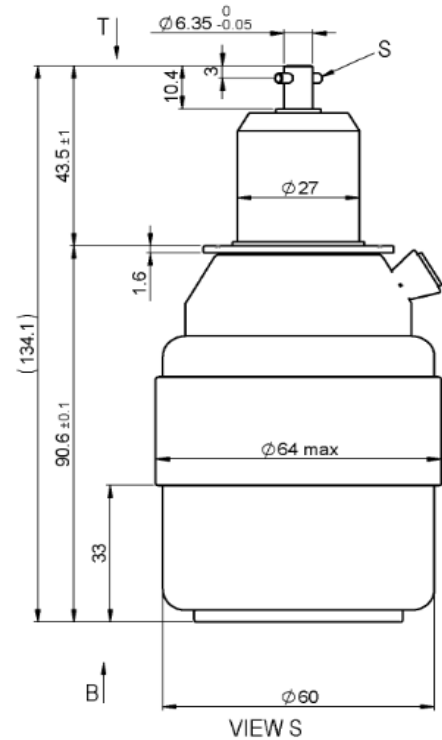
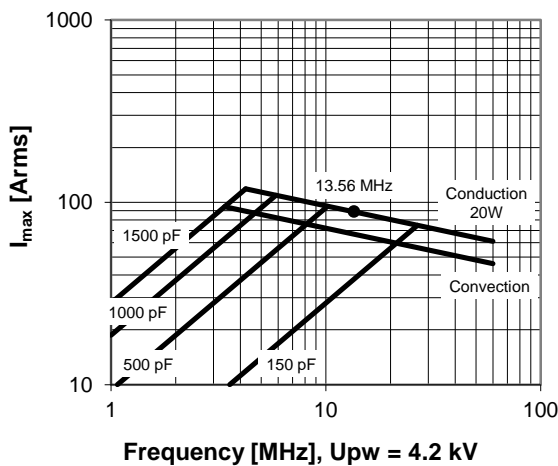
## CVUN-1500BC/7-BGJA-Z

### Specifications

Capacitance $C_{max}$ (nominal)	1500 pF
Capacitance $C_{min}$ (nominal)	150 pF
Voltage (Peak Test $U_{pt}$ / Peak Working $U_{pw}$ )	7 kV / 4.2 kV
Capacitance Tolerance (linear Range)	10%
Max. Current $I_{max}$ at 13.56 MHz with	88 Arms
Conduction Cooling	20 W
Self Inductance	$\leq 11$ nH
Capacitance per turn	123.9 pF/turn
Torque	$\leq 0.2$ Nm
Net Weight	0.65 kg



$I_{max}$  at 25°C ambient and 125°C surface temp. for convection and conduction (20 W) cooling



Subject to change without prior notice

Note: Technical information in Service Bulletin SB-52 must be considered

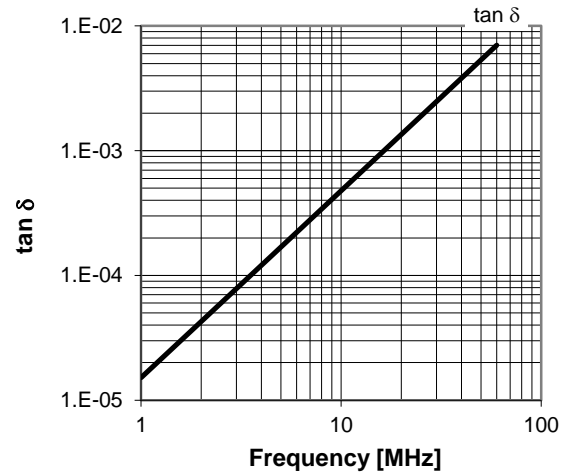
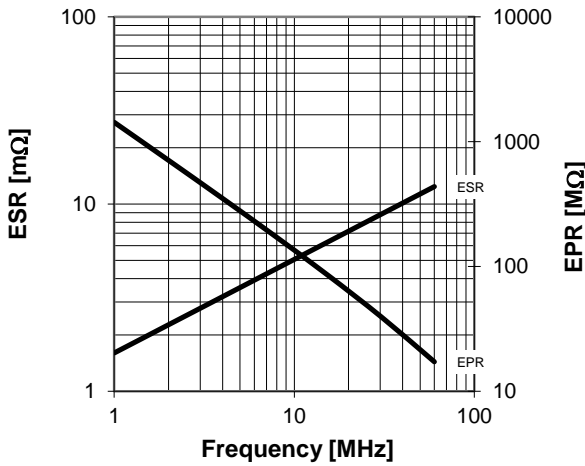
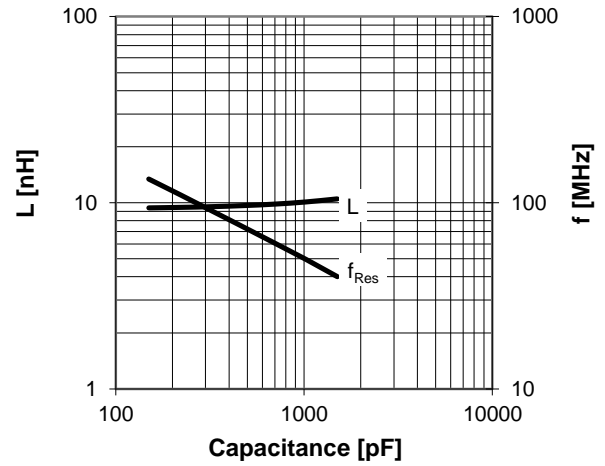
Issue: 11-Mar-2016

## CVUN-1500BC/7-BGJA-Z

Turns	Nominal Capacitance [pF]	Tolerance
0.0	150.0	0%
2.0	396.8	10%
4.0	643.6	10%
6.0	890.3	10%
8.0	1137.1	10%
10.9	1500.0	10%

Mechanical stop at < 150 pF at ~ -1.2 turns  
Mechanical stop at > 1500 pF at ~ 11.1 turns

Self inductance and resonance frequency



**Special Features:**

Special Series Features

Subject to change without prior notice

Note: Technical information in Service Bulletin  
SB-52 must be considered

Issue: 11-Mar-2016