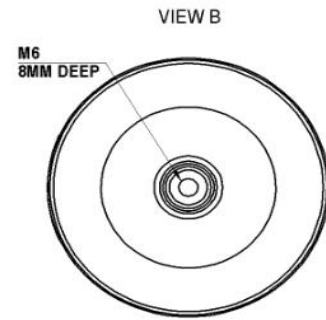
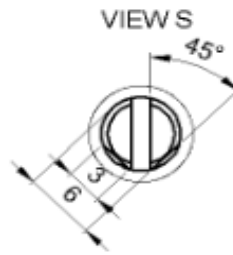
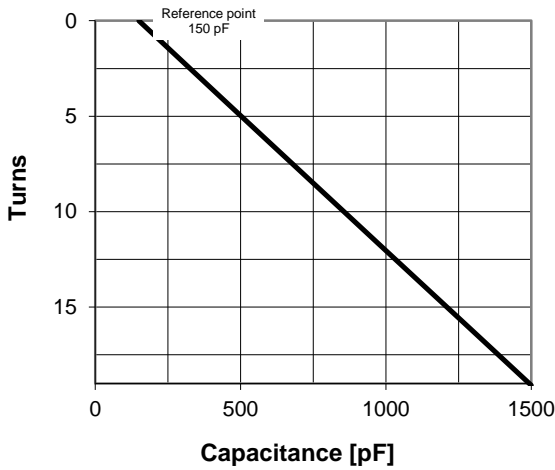
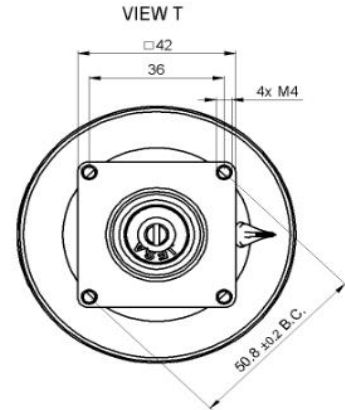
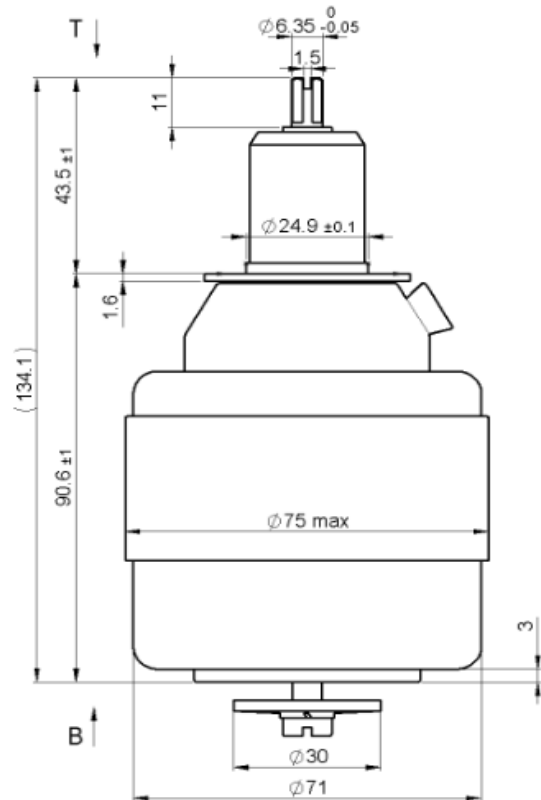
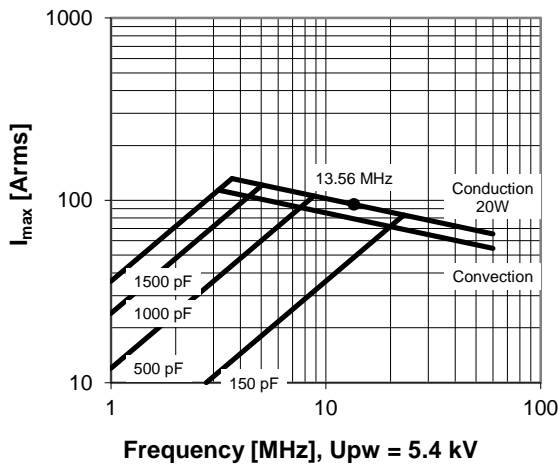


CVUN-1500CC/9-BEAA

Specifications	
Capacitance C_{max} (nominal)	1500 pF
Capacitance C_{min} (nominal)	150 pF
Voltage (Peak Test U_{pt} / Peak Working U_{pw})	9 kV / 5.4 kV
Capacitance Tolerance (linear Range)	10%
Max. Current I_{max} at 13.56 MHz with	94 Arms
Conduction Cooling	20 W
Self Inductance	≤ 11 nH
Capacitance per turn	70.7 pF/turn
Torque	≤ 0.2 Nm
Net Weight	0.8 kg



I_{max} at 25°C ambient and 125°C surface temp. for convection and conduction (20 W) cooling



Subject to change without prior notice

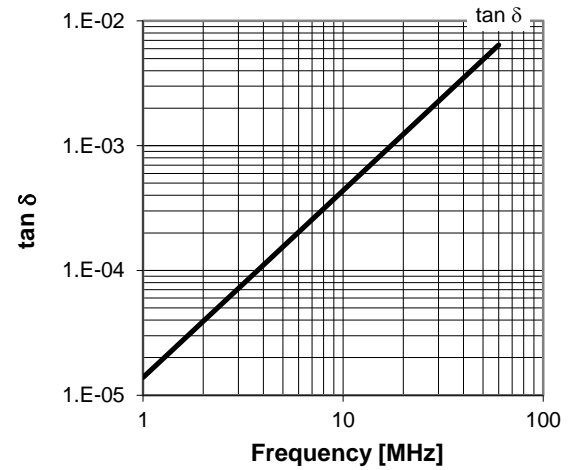
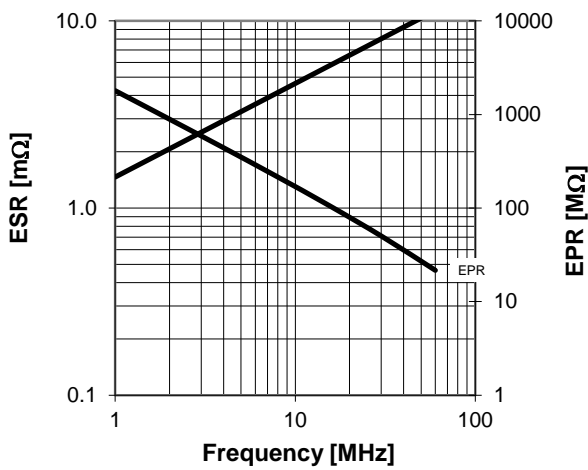
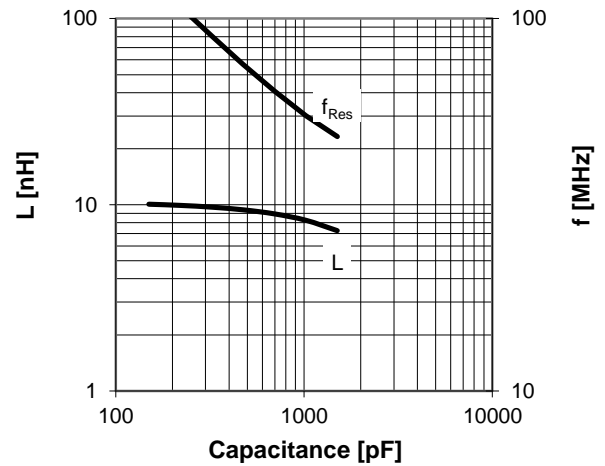
Note: Technical information in Service Bulletin SB-52 must be considered

CVUN-1500CC/9-BEAA

Turns	Nominal Capacitance [pF]	Tolerance
0.0	150.0	0%
4.0	431.3	10%
8.0	714.0	10%
12.0	996.8	10%
16.0	1280.7	10%
19.1	1500.0	10%

Mechanical stop at < 150 pF at ~ -1.8 turns
Mechanical stop at > 1500 pF at ~ 19.5 turns

Self inductance and resonance frequency



Subject to change without prior notice

Note: Technical information in Service Bulletin
SB-52 must be considered