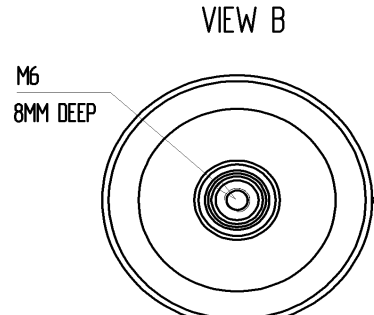
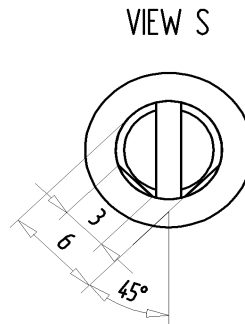
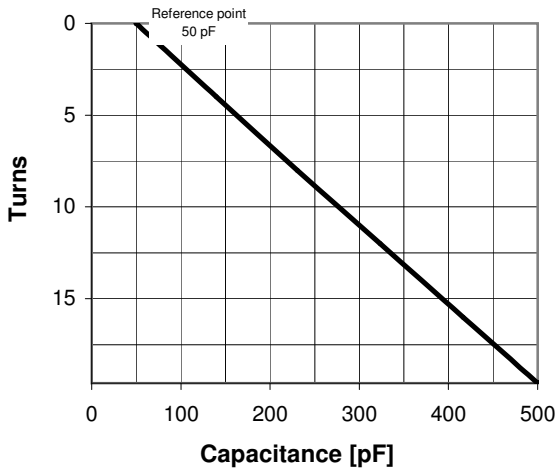
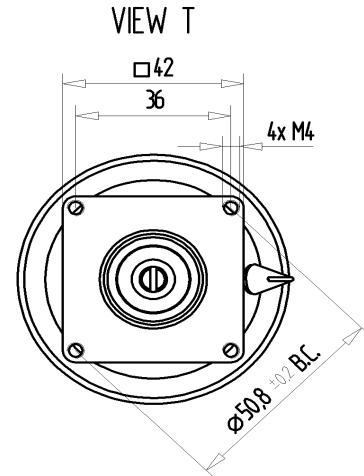


## CVUN-500BC/12-BEAA

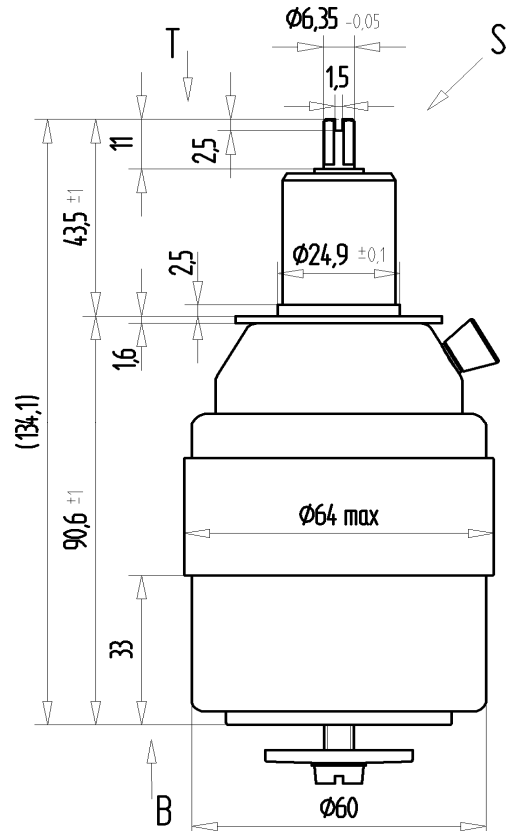
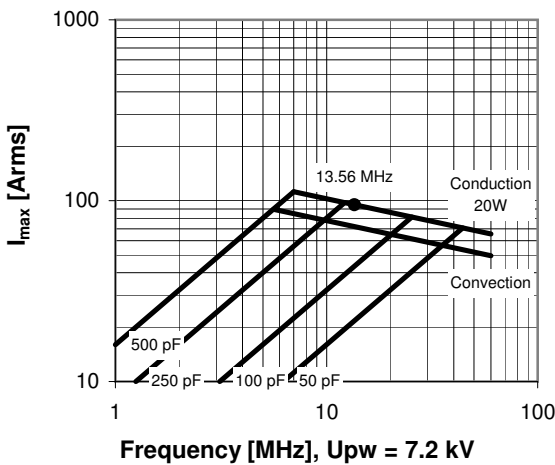
Old Type Designation: CV1C-500UCM

### Specifications

Capacity $C_{max}$ (nominal)	500 pF
Capacity $C_{min}$ (nominal)	50 pF
Voltage (Peak Test $U_{pt}$ / Peak Working $U_{pw}$ )	12 kV / 7.2 kV
Capacity Tolerance (linear Range)	10%
Max. Current $I_{max}$ at 13.56 MHz with	94 Arms
Conduction Cooling	20 W
Self Inductance	$\leq 10$ nH
Capacitance per turn	23 pF/turn
Torque	$\leq 0.2$ Nm
Net Weight	0.65 kg



$I_{max}$  at 25°C ambient and 125°C surface temp. for convection and conduction (20 W) cooling



Turns	Nominal Capacitance [pF]	Tolerance
0.0	50.0	0%
4.0	139.5	10%
8.0	230.5	10%
12.0	323.5	10%
16.0	416.5	10%
19.6	500.0	10%

Mechanical stop at < 50 pF at ~ -4.5 turns  
Mechanical stop at > 500 pF at ~ 20 turns

Self inductance and resonance frequency

