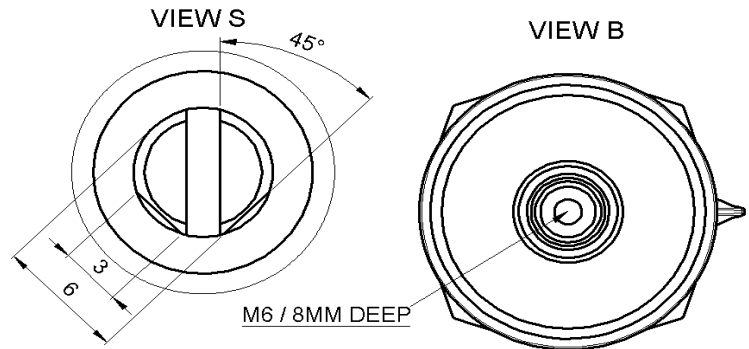
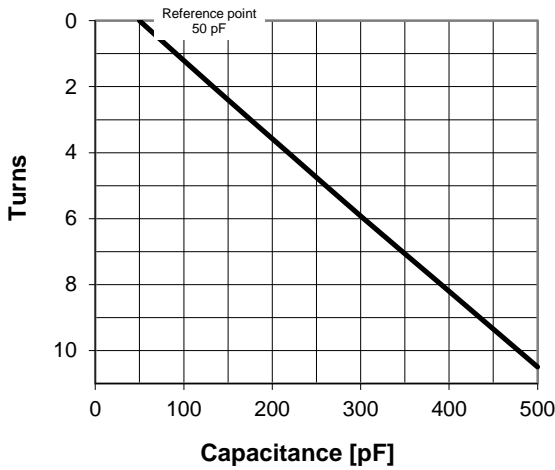
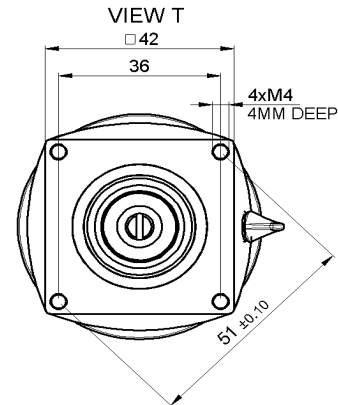


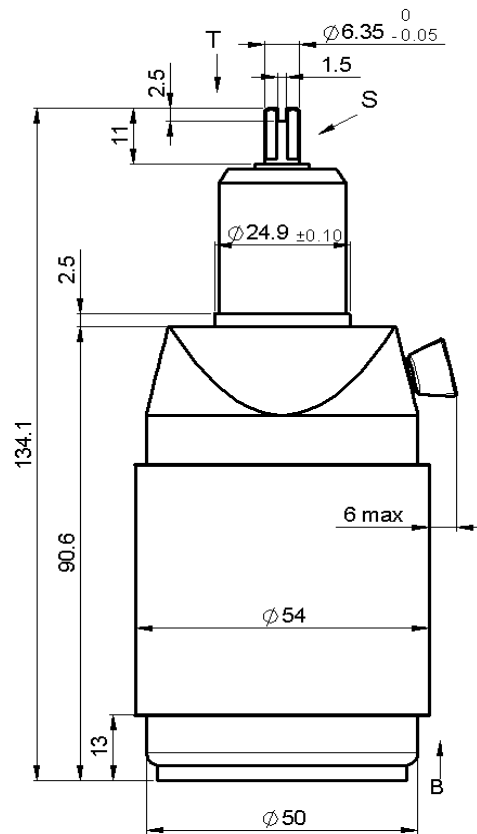
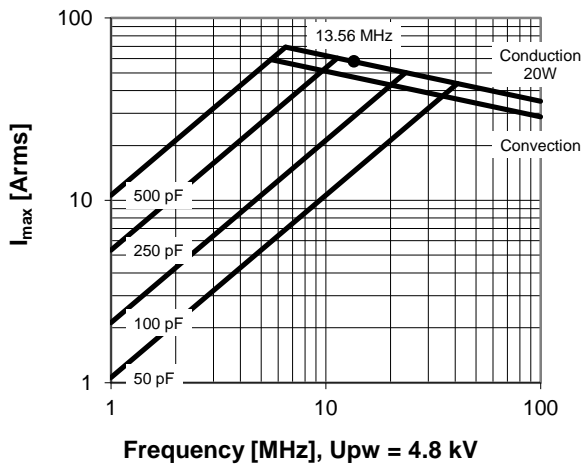
CVUS-500AC/8-BEJK

Specifications

| | |
|---|---------------|
| Capacity C_{max} (nominal) | 500 pF |
| Capacity C_{min} (nominal) | 50 pF |
| Voltage (Peak Test U_{pt} / Peak Working U_{pw}) | 8 kV / 4.8 kV |
| Capacity Tolerance (linear Range) | 10% |
| Max. Current I_{max} at 13.56 MHz with | 57 Arms |
| Conduction Cooling | 20 W |
| Self Inductance | ≤ 9 nH |
| Capacitance per turn | 42.9 pF/turn |
| Torque | ≤ 0.2 Nm |
| Net Weight | 0.6 kg |



I_{max} at 25°C ambient and 125°C surface temp. for convection and conduction (20 W) cooling



Subject to change without prior notice

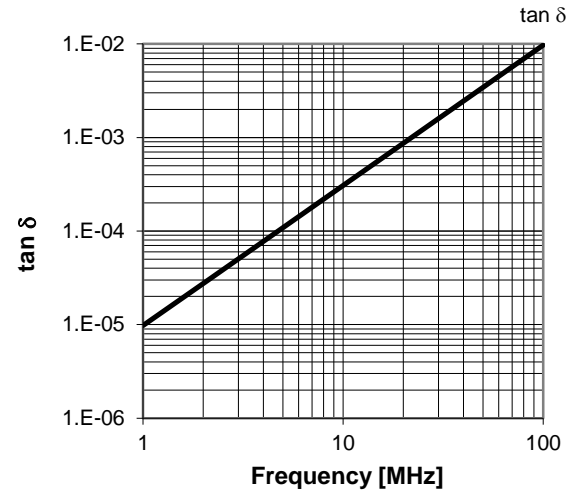
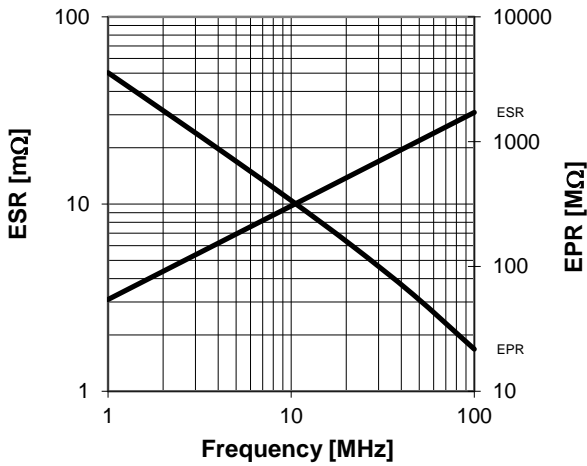
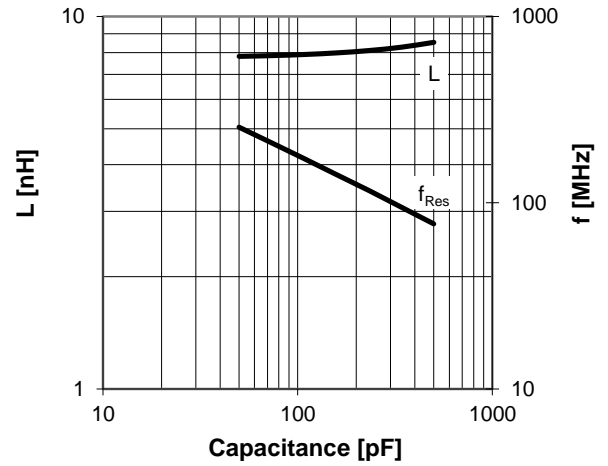
Note: Technical information in Service Bulletin SB-52 must be considered

CVUS-500AC/8-BEJK

| Turns | Nominal Capacitance [pF] | Tolerance |
|-------|--------------------------|-----------|
| 0.0 | 50.0 | 0% |
| 2.0 | 133.2 | 10% |
| 4.0 | 218.1 | 10% |
| 6.0 | 303.3 | 10% |
| 8.0 | 391.0 | 10% |
| 10.5 | 500.0 | 10% |

Mechanical stop at < 50 pF at ~ -0.5 turns
Mechanical stop at > 500 pF at ~ 10.6 turns

Self inductance and resonance frequency



Special Feature

RoHS compliant

Subject to change without prior notice

Note: Technical information in Service Bulletin
SB-52 must be considered