

Integral Flange

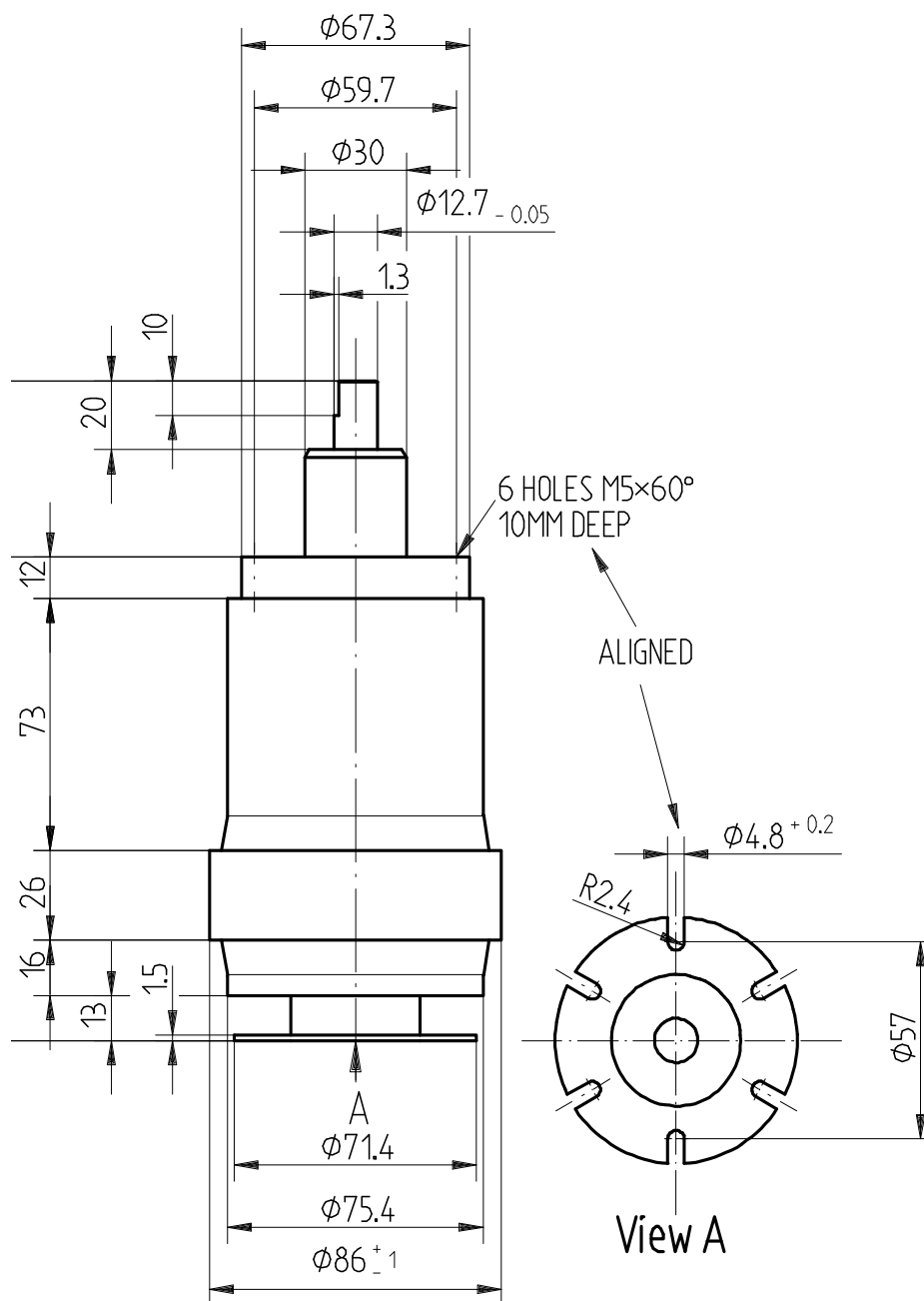
On some of the high volume 500 and 1000 pF capacitors, we have devised new versions having "integral" flanges on the fixed side as well. This eliminates the need for the customer to buy an additional accessory flange like p/n 058-015 at costs that can vary from US\$ 30 - 40.

"Integral" means that a flange with the same hole, thread or slot pattern as the accessory flange is welded onto the bottom of the capacitor prior to plating. This gives a better mechanical and electrical connection in addition to a significant price advantage of the capacitor / flange assembly.

This new integral flange is available for several types of following capacitor series:

Basic-Con
Lumi-Con
Vitra-Con
Mini-Con
Midi-Con

The attachment shows the outline drawing of the CVMI-500BC/15-ACC-L of the Midi-Con family. If an integral flange is required for other high-volume capacitors, we shall be glad to study the feasibility. Please inquire.



Outline drawing of CVMI-500BC/15-ACC-L